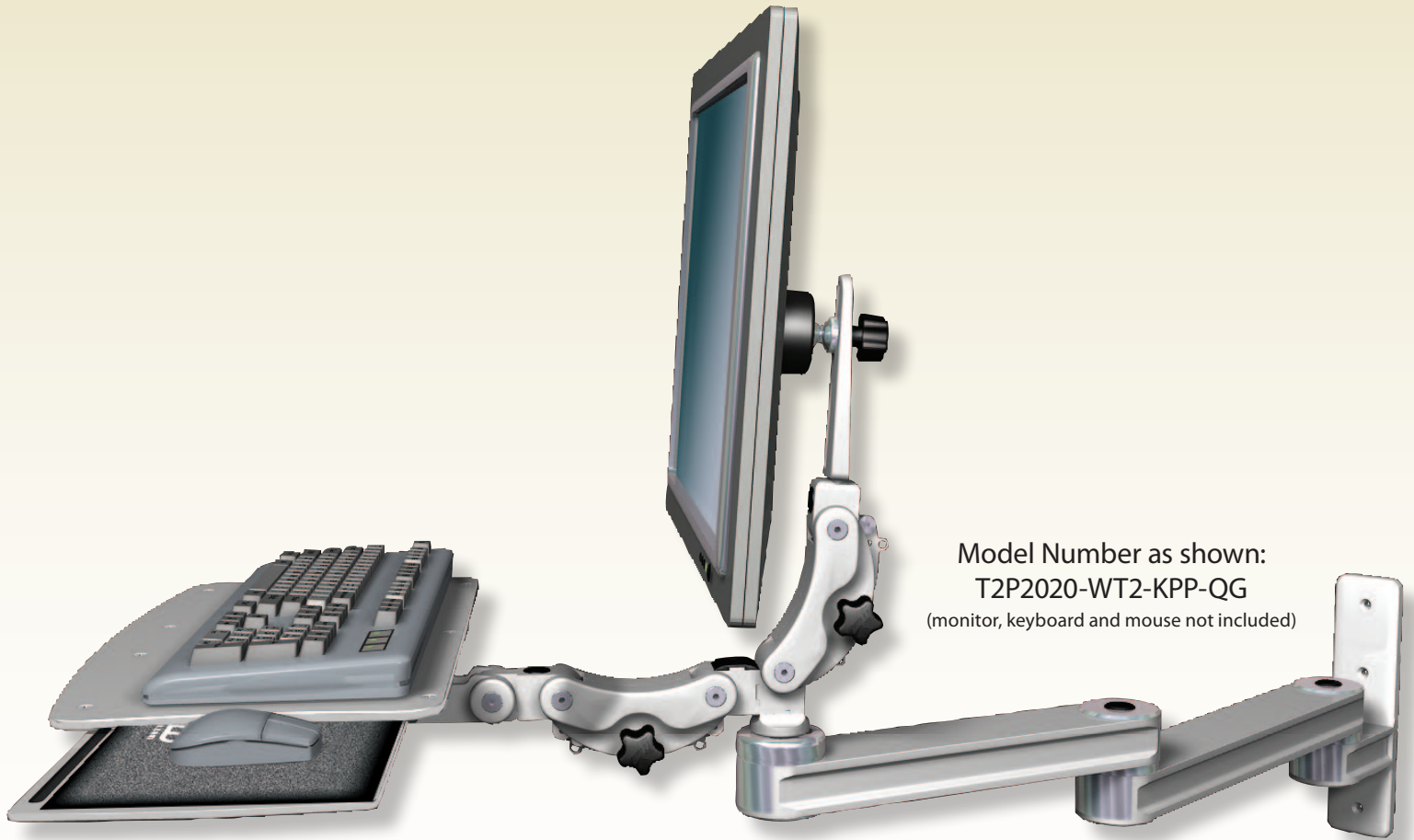


# T2 Paralink Arm Series



Model Number as shown:  
T2P2020-WT2-KPP-QG  
(monitor, keyboard and mouse not included)

**ICW**

# T2 Paralink Arm Series

## DESCRIPTION:

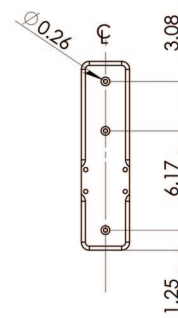
The T2 with Paralink is the premier rigid LCD arm mount. This arm allows full cord management from the wall to the monitor and keyboard, and moves as if there are no wires connected. The cables are completely hidden inside the unit, even at the joints. The T2P2020 is 43" long. With the monitor tilted forward, the maximum reach from mount to monitor is 46".

## FEATURES:

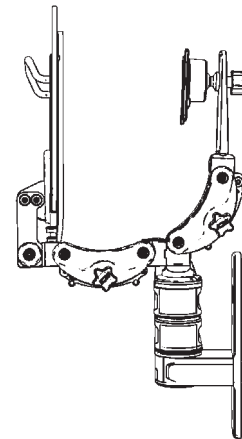
- Internal cable management
- Holds up to a 28 lb. monitor
- Available with desk, wall or pole mounts

## SPECIFICATIONS:

Finish:	Gray, black or medical white
Weight capacity:	28lbs (12.7 kg)
Minimum profile:	11.8"
Maximum reach:	63" with keyboard 43" w/o keyboard
Arm Swivel At Mount:	180°
Tray swivel:	360°
VESA interface:	75mm and 100mm

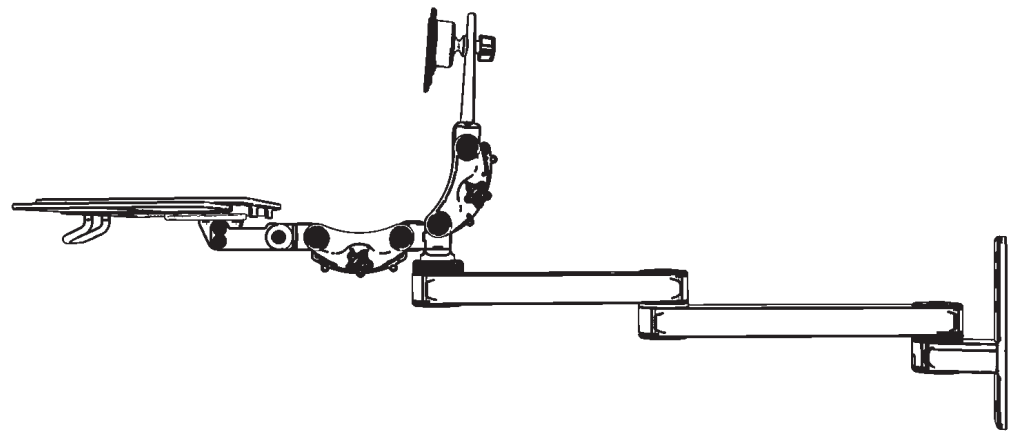


WALL PLATE



11.8"

SIDE folded



63"

SIDE extended

