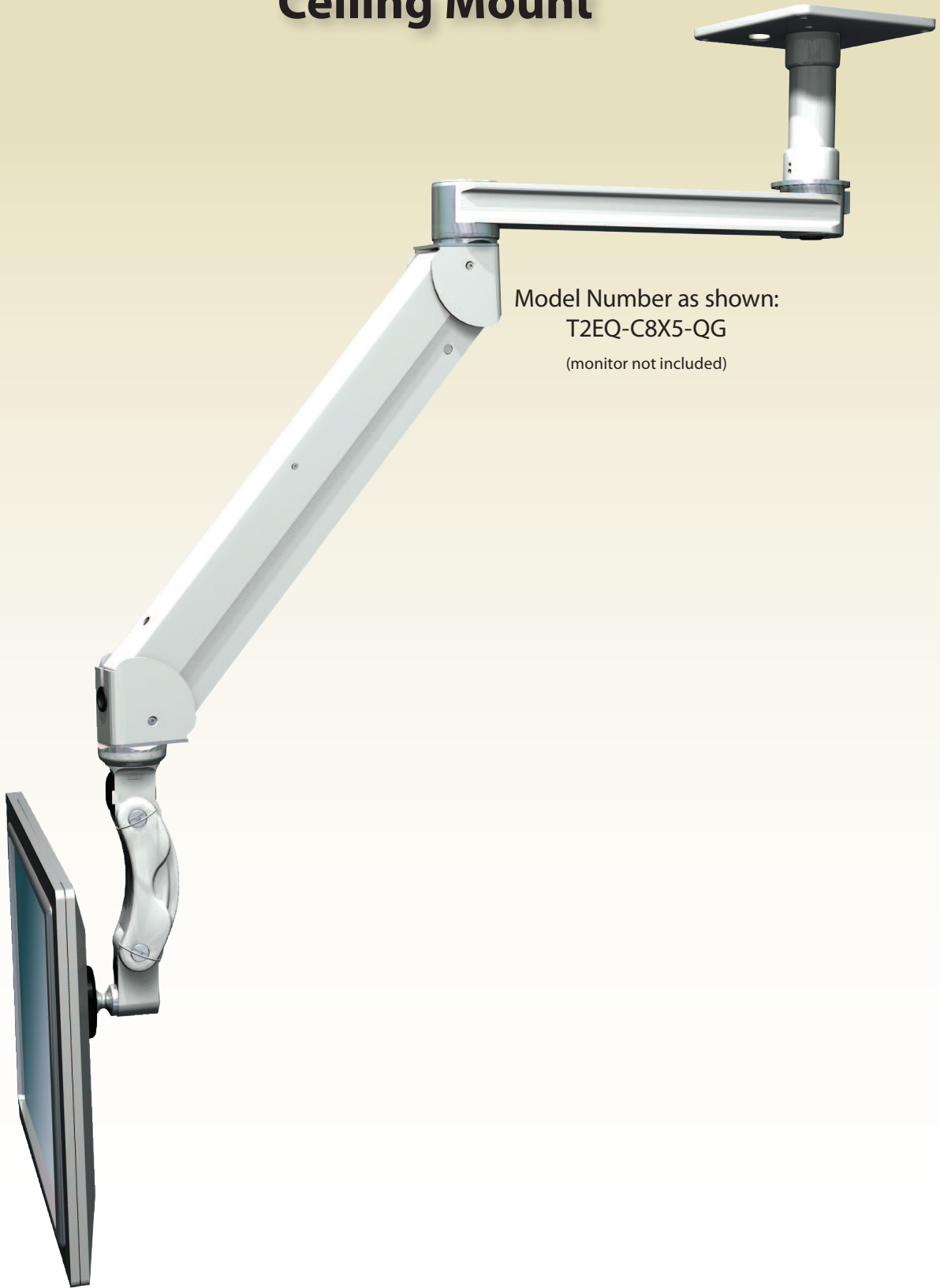


# T2 Elite Quicklink Ceiling Mount



Model Number as shown:  
T2EQ-C8X5-QG  
(monitor not included)

**ICW**

# T2 Elite Quicklink Ceiling Mount

## DESCRIPTION:

The T2 Elite arm with Quicklink incorporates design features allowing it to support up to 28 lbs (12.7 kg) while providing effortless movement. The Elite allows an LCD to be suspended and pulled out when required. The Elite arm is fully cable managed, gas spring assisted, and provides up to 21" of vertical and 42" of horizontal adjustment from mount to monitor, along with 360° of rotation, making it ideal in medical operating rooms or dental operatories.

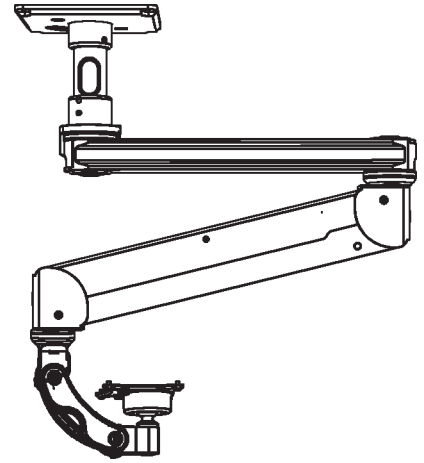
Machined from billet aluminum, the unit is powder coated for a durable, lasting finish. Hand assembly ensures that a quality product is shipped to you.

## FEATURES:

- Fully enclosed gas cylinders
- Hardened alloy shoulder bolts and Teflon bushings, engineered for years of reliable service and quiet operation
- Powder coated and anodized for long wear and easy cleaning
- Cable channeling through the arm assembly
- 5", 12", 24", and 36" ceiling extension pipes available

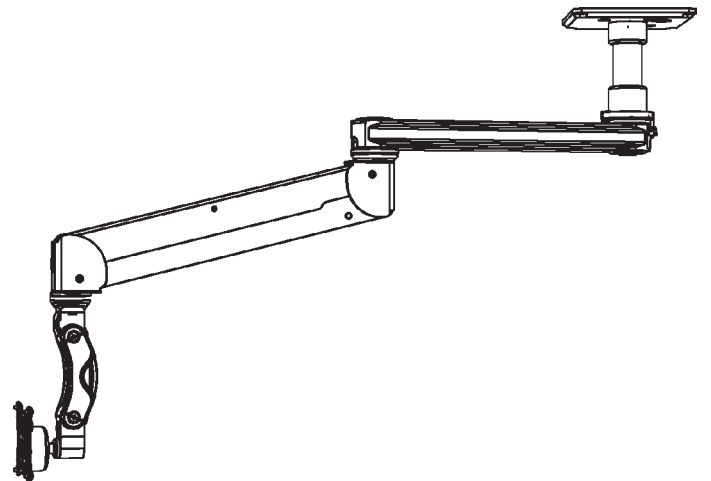
## SPECIFICATIONS:

|                         |                              |
|-------------------------|------------------------------|
| Finish:                 | Gray, black or medical white |
| Weight capacity:        | 28 lbs (12.7 kg)             |
| Vert. adjustment range: | 21"                          |
| Maximum reach:          | 57"                          |
| Arm swivel at mount:    | 360°                         |
| Screen swivel:          | 360°                         |
| Screen tilt:            | 180°                         |
| VESA interface:         | 75mm and 100mm               |



*SIDE folded*

24.5"



*SIDE extended*

42"