

MD Arm w/Paralink



Model Number as shown:
MDP18-WMD-KPP-QG
(monitor, keyboard and mouse not included)

ICW

MD Arm with Paralink

DESCRIPTION:

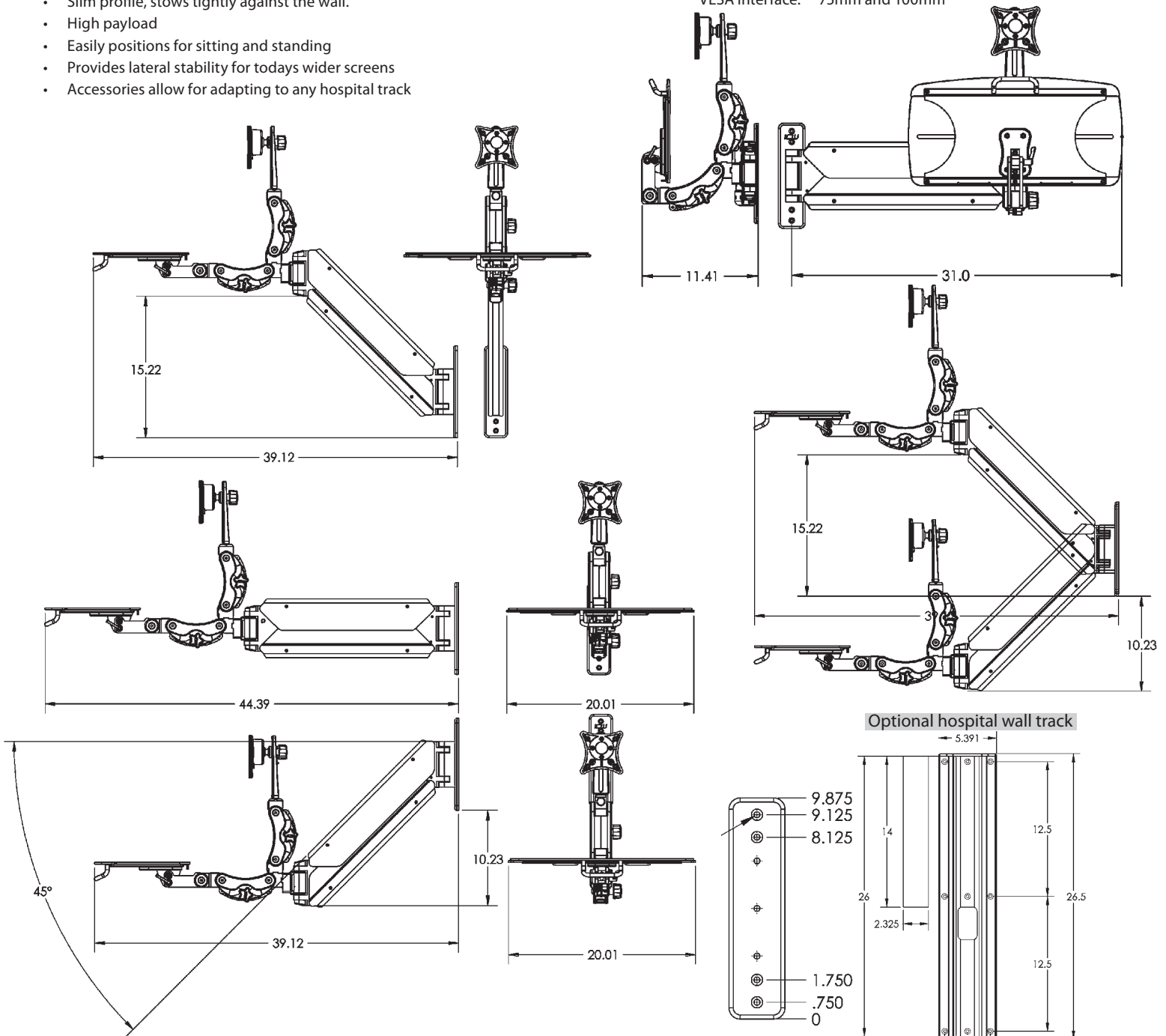
The MD arm is the new gas spring assisted arm from ICW. Its thinner frame and slimmer design make it an ideal sit-stand workstation arm when space is tight. This arm is a parallelogram, which means the keyboard tray will stay level in all positions. The keyboard tray can be positioned independently from the monitor for better ergonomics.

FEATURES:

- True counter-balance (from 0 - 28 lbs)
- Hidden cable management
- Setting the standard with 25" of vertical adjustment
- Slim profile, stows tightly against the wall.
- High payload
- Easily positions for sitting and standing
- Provides lateral stability for today's wider screens
- Accessories allow for adapting to any hospital track

SPECIFICATIONS:

Finish:	Medical Gloss-White Powder Coat
Weight capacity:	28 lbs (12.7 kg) w/o keyboard 22 lbs (9.98 kg) w/ keyboard
Vert. movement:	25"
Maximum reach:	32" w/o keyboard 44.4" with keyboard
Stowed profile:	4.5" w/o keyboard 11.4" with keyboard
Arm swivel at mount:	180°
Screen swivel:	180°
Screen tilt:	50°
VESA interface:	75mm and 100mm



ICWDental.com • 1487 Kingsley Drive • Medford, OR 97504 • Phone: 800-558-4435

www.icwdental.com

rev. 1/19/10 ht