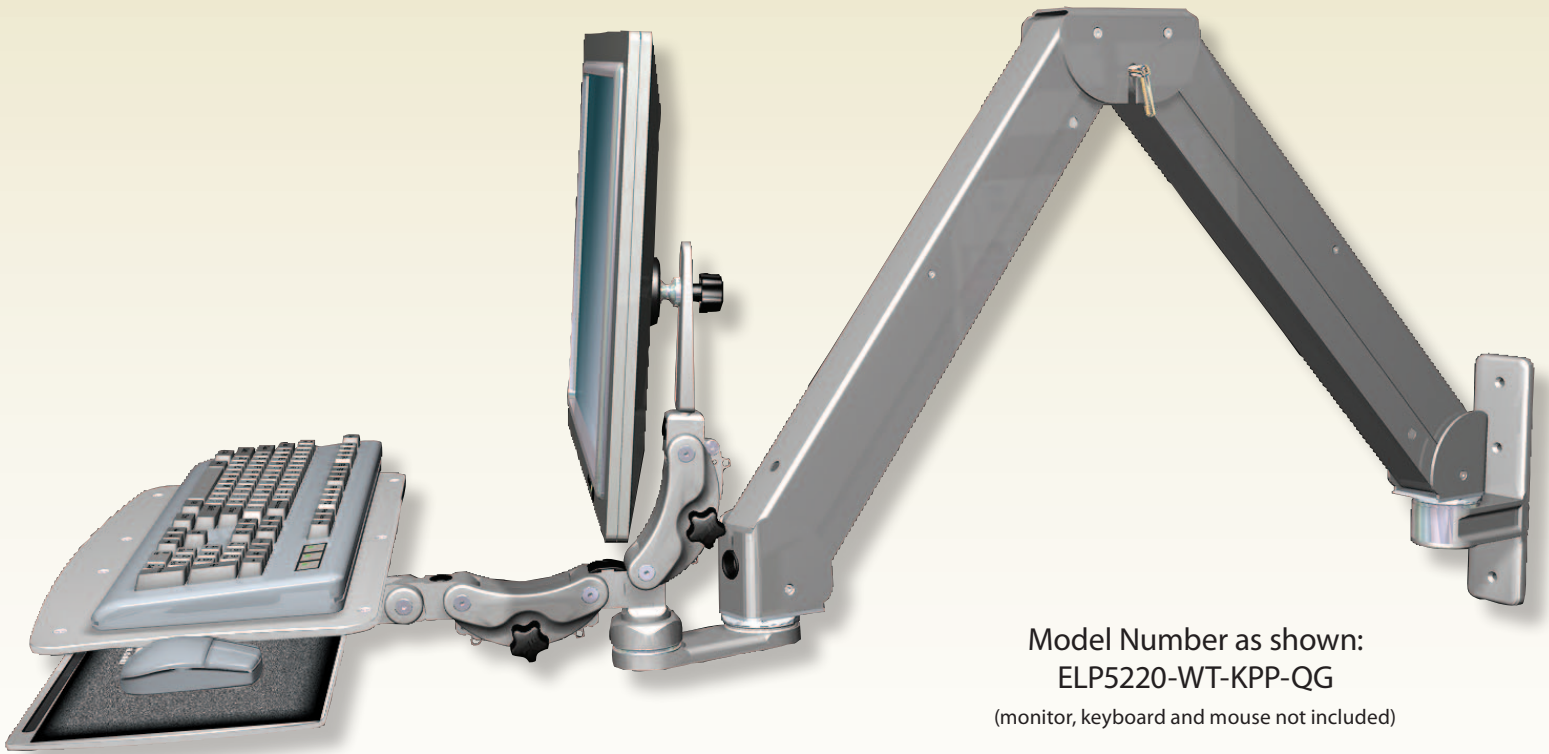


Dual Arm Elite with Paralink



Model Number as shown:
ELP5220-WT-KPP-QG
(monitor, keyboard and mouse not included)

ICW

Dual Arm Elite with Paralink

DESCRIPTION:

The double arm Elite with Paralink incorporates design features allowing it to support up to 22 lbs (9.9 kg) while providing effortless movement. The Elite allows an LCD to be suspended and pulled out when required. The Elite arm is fully cable managed, gas spring assisted, and provides up to 42" of vertical and horizontal adjustment from mount to monitor, along with 180° of rotation, making it ideal in medical operating rooms or dental operatories. This wall mounted model is shown in the drawing with an aluminum keyboard tray and a slide-out mouse tray.

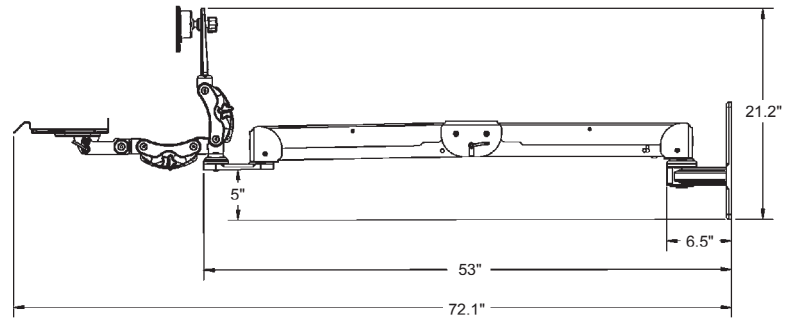
Machined from billet aluminum, this unit is powder coated for a durable, lasting finish. Hand assembly ensures that a quality product is shipped to you.

FEATURES:

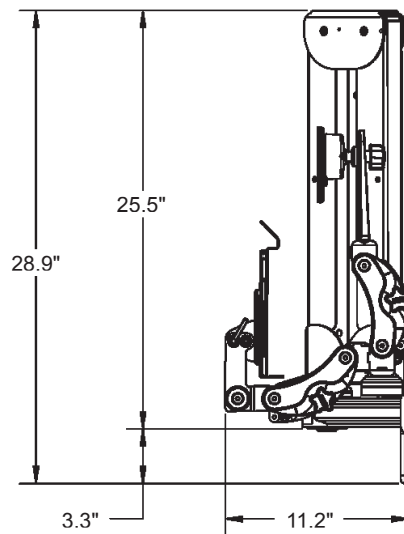
- Gas spring assisted
- Hidden cable management
- Effortless mobility

SPECIFICATIONS:

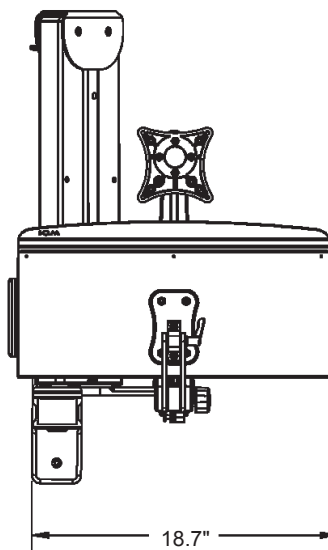
Finish:	Gray, black or medical white
Weight capacity:	28 lbs (12.7 kg) w/o keyboard; 22 lbs (9.9 kg) with keyboard
Vert. adjustment range:	42"
Maximum reach:	60" w/o keyboard 72" with keyboard
Arm swivel at mount:	180°
Screen swivel:	360°
Screen tilt:	50°
VESA interface:	75mm and 100mm



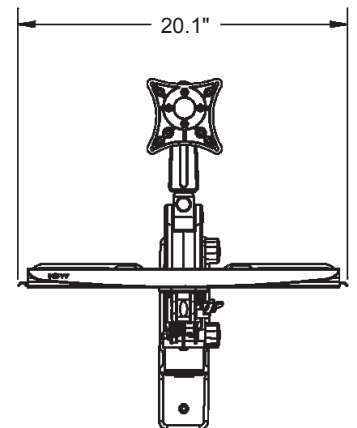
SIDE extended



SIDE folded



FRONT folded



FRONT extended

