

CPU Frame Mount



Model Number as shown:
CPU5-QG
(computer not included)



CPU Frame Mount

DESCRIPTION:

Safely suspend your computer off the floor and extend its life with this computer CPU wall mount.

This mount fastens your computer in a frame that wraps around all four sides, securing it tightly to a wall or desk. The CPU mount has a key-hole wall plate which makes it easy to remove for regular maintenance. The model shown fits CPUs 5" to 7" in width and 10.75" to 18.25" in height. It is also available in a smaller or larger model.

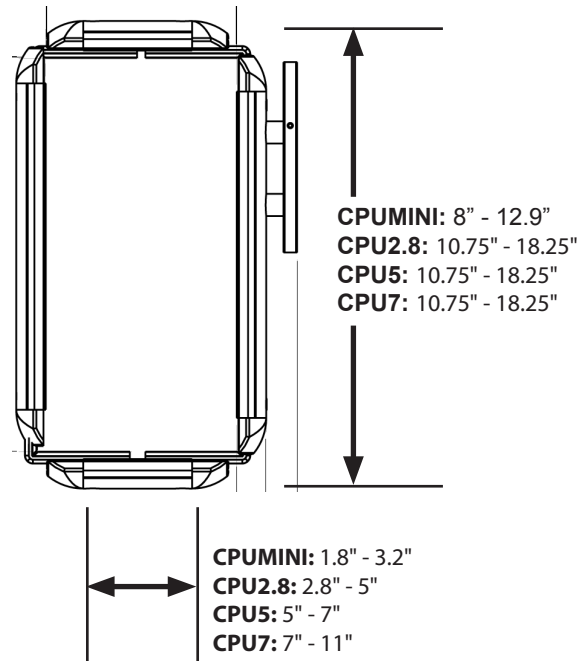
Machined from billet aluminum, the unit is powder coated for a durable, lasting finish. Hand assembly ensures that a quality product is shipped to you.

FEATURES:

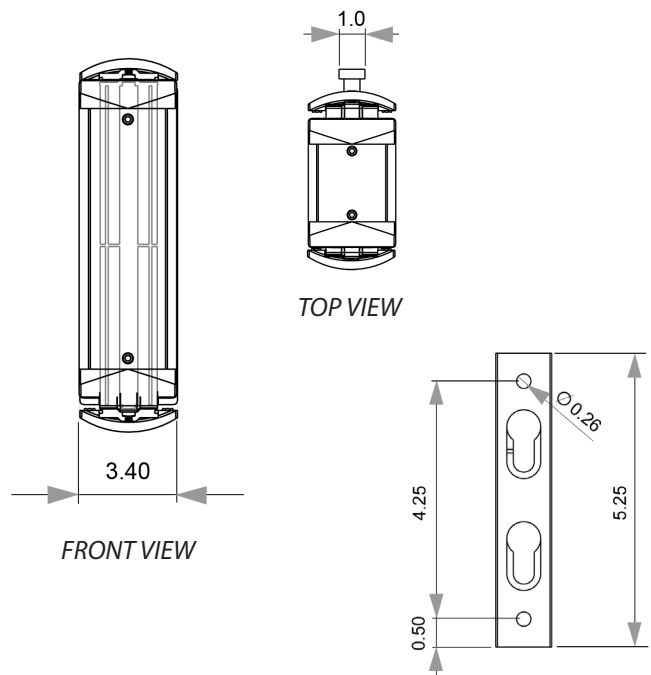
- Secures computer on four sides
- Saves desk and floor space
- Keyhole wall plate for easy installation
- Includes security set screw
- Rubber pads insulate your computer from static

SPECIFICATIONS:

| | |
|--------------------------|------------------------------|
| Finish: | Gray, black or medical white |
| Weight capacity: | 45 lbs (20.4 kg) |
| Vert. frame adjustment: | 8" - 18.25" |
| Horiz. frame adjustment: | 1.8" - 11" |



SIDE VIEW



WALL MOUNT BRACKET

