

Ergovision 65 Monitor Mount



Model Number as shown:
EV65-W2-QG

ICW

Ergovision 65 Monitor Mount

DESCRIPTION:

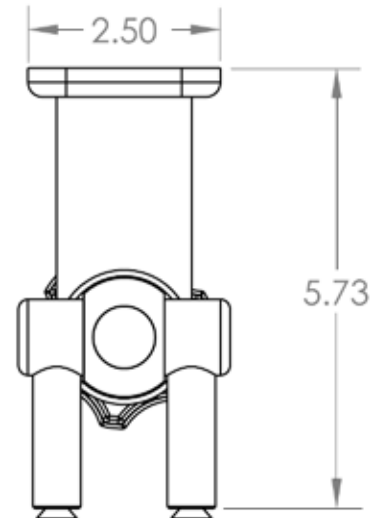
The Ergovision 65 is a compact adjustable monitor mount. When you need the monitor close to the mounting surface, but you still want to retain monitor tilt and pivot, this is the mount you're looking for. The EV65 is available in wall, ceiling or pole versions.

FEATURES:

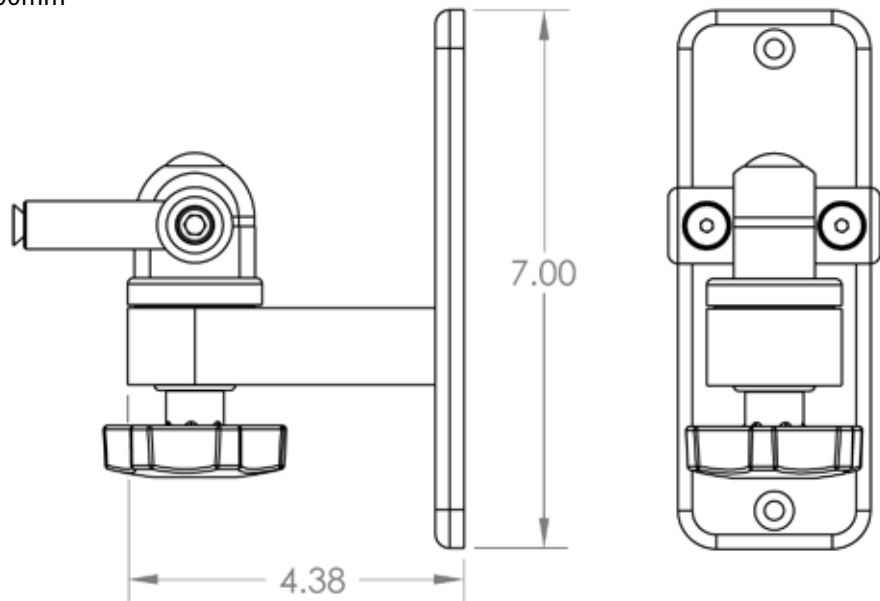
- Friction-based tilt adjustment
- Effortless Mobility
- Available with 11 in. extension arm

SPECIFICATIONS:

Finish:	Gray or black
Weight capacity:	30 lbs (13.6 kg)
Mounting surface:	Wall, ceiling or pole
Screen swivel:	90°
Screen tilt:	75°
VESA interface:	75mm and 100mm



TOP VIEW



SIDE ELEVATION

FRONT ELEVATION

