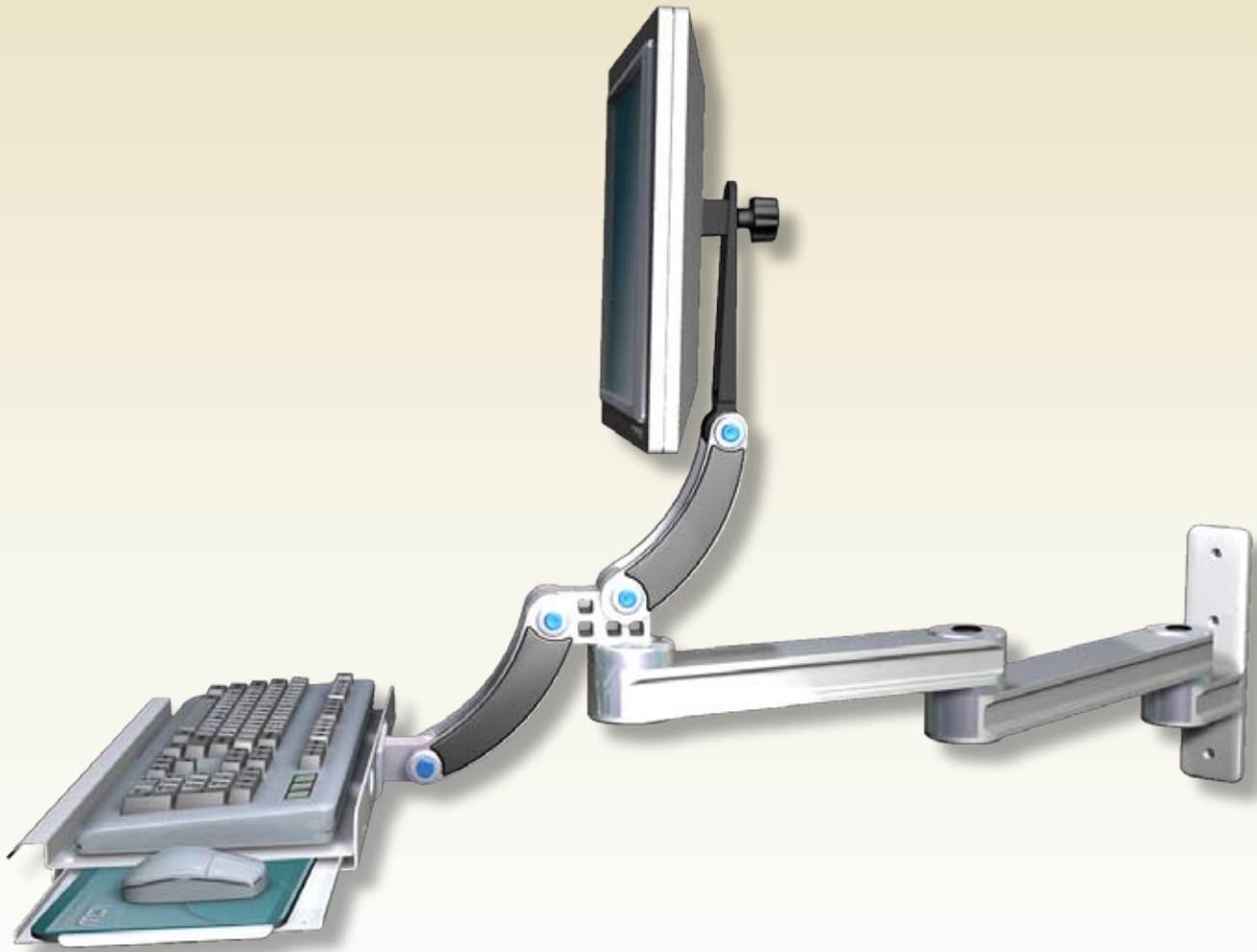


T2 Arm Series



Model Number as shown:
T2R2020-WT2-KRXB-QG

ICW

T2 Arm Series

DESCRIPTION:

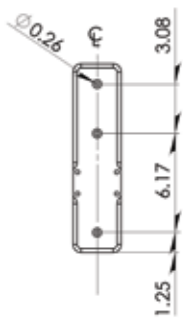
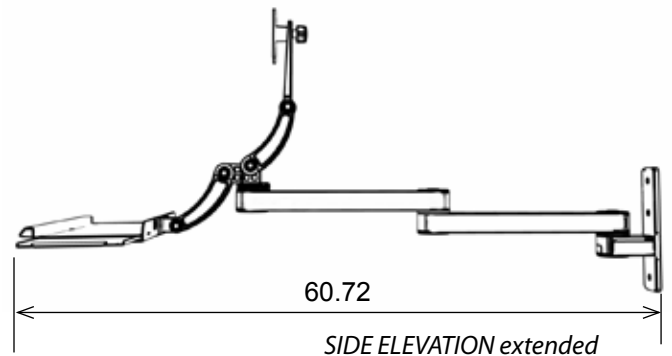
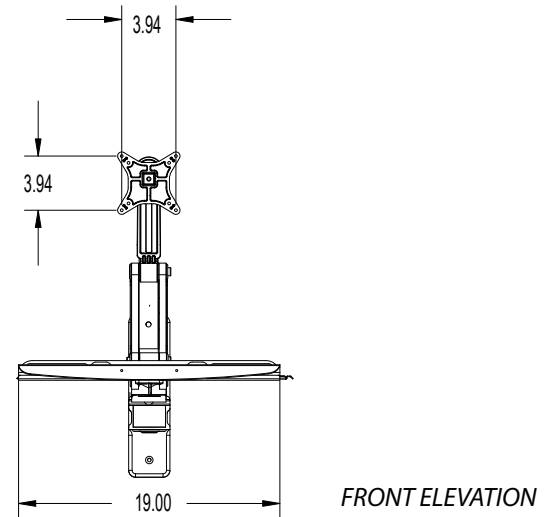
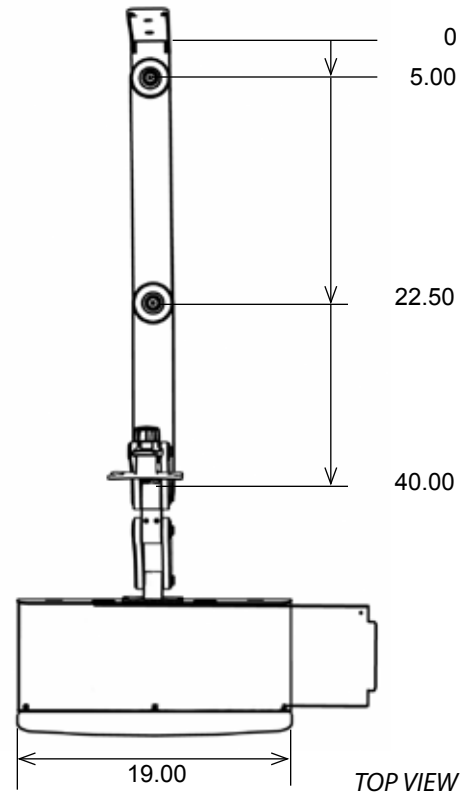
The T2 is the premier rigid arm LCD mount. This arm features full cord management from wall to monitor. The cables are completely hidden inside the unit, even at the joints, allowing full range of movement as if there are no wires connected. The T2 is 42.5" long, and with the monitor tilted forward, has a maximum reach of 49". This monitor and keyboard arm is used extensively in dental operatories.

FEATURES:

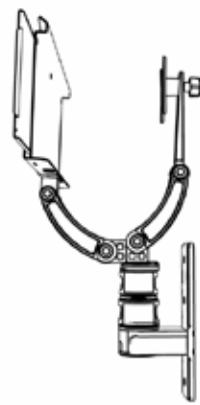
- Indexing, push-button adjustment
- Internal cable management
- Holds up to a 30 lb. monitor

SPECIFICATIONS:

Finish:	Gray or black
Weight capacity:	30 lbs (13.6 kg)
Minimum profile:	8.5"
Maximum reach:	60" with keyboard 49" w/o keyboard
Screen tilt:	180°
Tray swivel:	360°
VESA interface:	75mm and 100mm



WALL PLATE



SIDE ELEVATION folded

