

CPU EZ Mount



Model Number as shown:
CPU-FF-QG



CPU EZ Mount

DESCRIPTION:

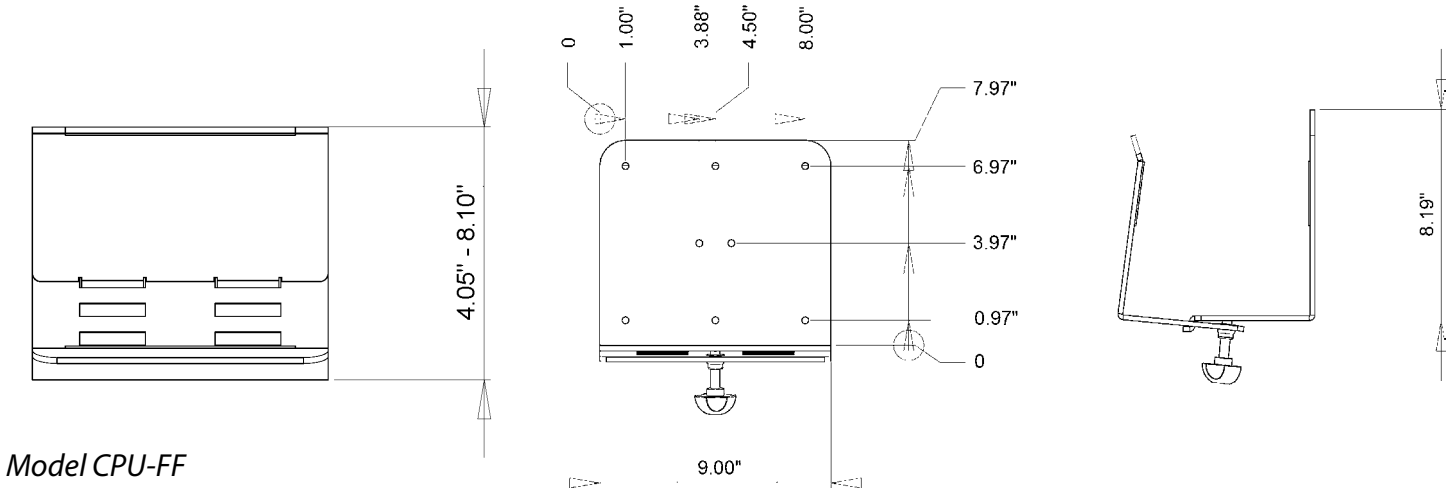
Designed for small Form Factor CPUs, these units are constructed from heavy-duty aluminum, with neoprene padding to protect the CPU as the clamp is tightened. Available in large and small models, these CPU mounts have multiple mounting capabilities. They feature ICW's unique, patent-pending adjustable clamp technology.

FEATURES:

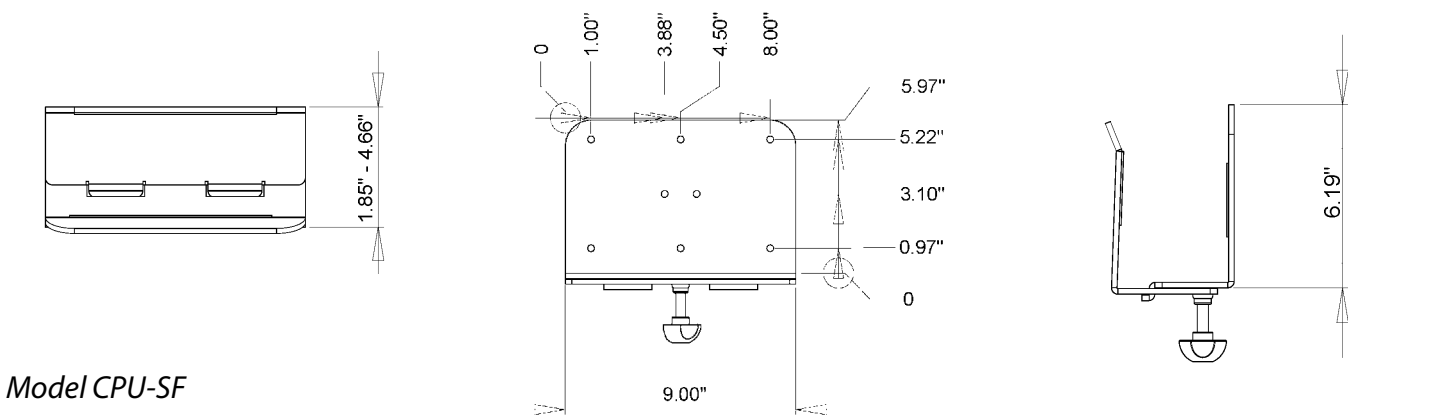
- Simple to mount and un-mount CPU
- Accommodates many different sizes of CPUs

SPECIFICATIONS:

Finish:	Gray or black
Weight capacity:	45 lbs (20.4 kg)
Horizontal adjustment - lg:	4.0" - 8.1"
Horizontal adjustment - sm:	1.9" - 4.6"



Model CPU-FF



Model CPU-SF

