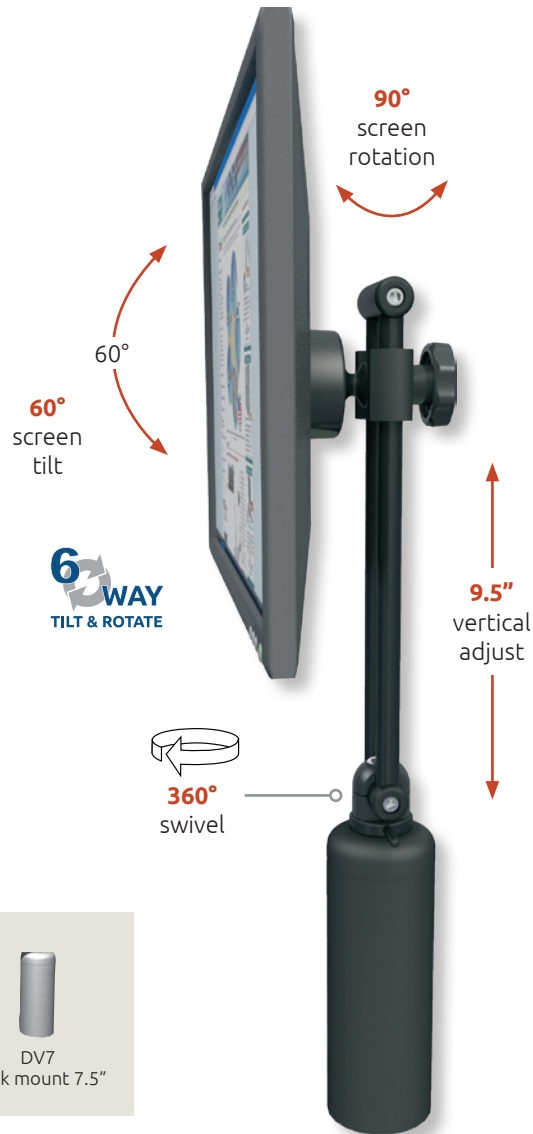


EV710-DV75

Ideal desk mount for healthcare, dental and point-of-sale use



6 WAY
TILT & ROTATE

360°
swivel

9.5"
vertical adjust

MOUNT OPTIONS



DV1
Desk mount 1"



DV3
Desk mount 3"



DV5
Desk mount 5"



DV7
Desk mount 7.5"

Monitor not included

Highlights

- Raise or lower monitor 9.5" (24.13 cm)
- 360° of swivel
- 60° of tilt

Load capacity: 22 lbs (9.97 kg)
Vertical adjustment range: 9.5" (24.13cm)
Mounting surface: Desk, table, counter
Screen swivel: 360°
Screen tilt: 60°
VESA interface: 75 mm and 100 mm

Easy height and tilt adjustments

- The Ergovision 710 desk mount was ergonomically designed to reduce users' neck pain and stiffness.
- The Ergovision 710 LCD monitor mount is an excellent choice for medical or dental environments.
- Ideal for point-of-sale applications including financial institutions banks, store outlets and insurance brokers.
- The EV710 makes it easy to adjust the height and tilt of your LCD monitor to the most ergonomic position.
- It provides the flexibility needed in situations where employees of different heights share the same workstation.

Select a color

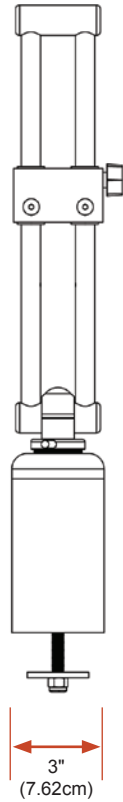
Specify one of our durable powder coating finishes with your order:

Gloss White (MW), Writable Black (WB), A-dec Tan (T), Pelton Putty (P), and Quartz Gray (QG)



Dimension Drawings

FRONT VIEW



Mount the Ergovision 710 to your desk or counter surface with a 3/8" bolt drilled through the mounting surface.

SIDE VIEW

