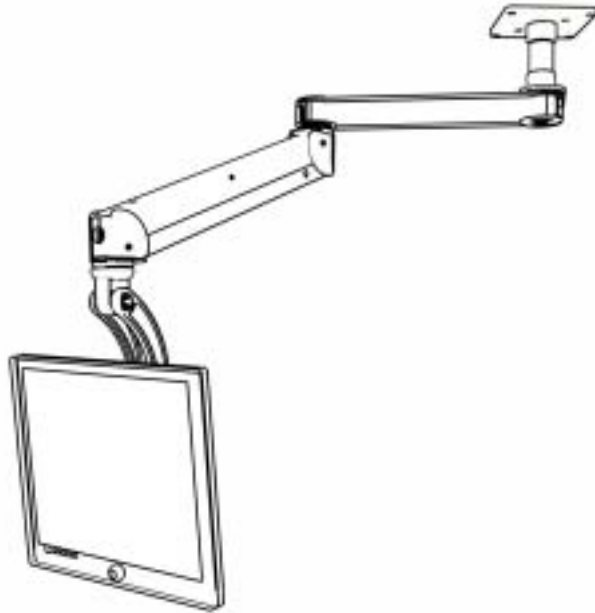


ICW Titan Elite installation



DANGER!

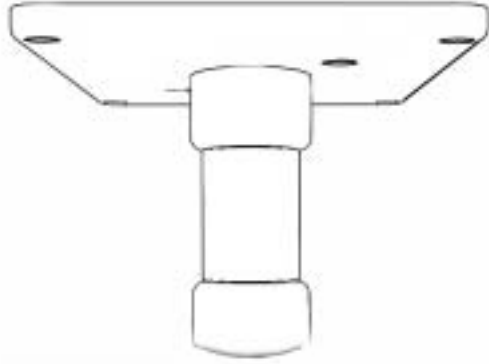
The Elite arm contains high pressure gas springs. The following cautions **MUST** be observed to avoid serious injury.

- 1) Do not attempt to adjust your Elite arm until everything you intend to mount to the arm is mounted.
- 2) Arm must be completely horizontal (extended) before adjusting the arms tension. Failure to do so will damage the arm and void the warranty.
- 3) **Never loosen or remove any of the shoulder bolts. Doing so will cause the arm to immediately come apart with tremendous force, and could cause serious injury.**



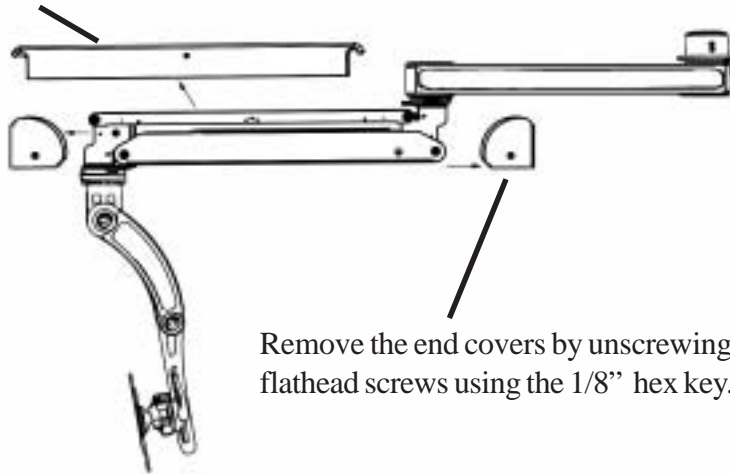
Shoulder bolt

- 4) If equipment requiring AC power is mounted to this unit, have a certified electrician inspect the installation.
- 5) Failure to install this unit according to these instructions will void all ICW warranties. If installed incorrectly, ICW is not liable for any damage or injury caused by the unit.



Remove the ceiling mount from the box, and find the 4 #14 wood screws in your hardware bag. Firmly secure the ceiling mount to a solid stud in the ceiling using all 4 of the provided screws and being sure the mount is level.

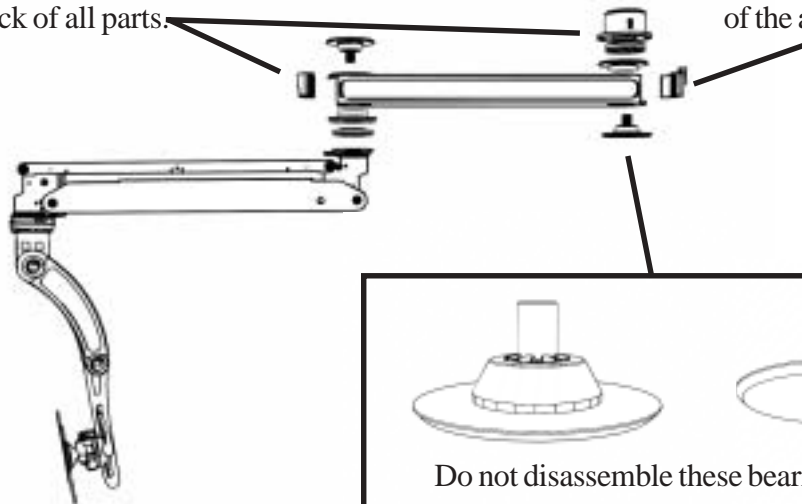
Remove the long arm cover by unscrewing the 2 6-32 flathead screws using a philips head screwdriver.



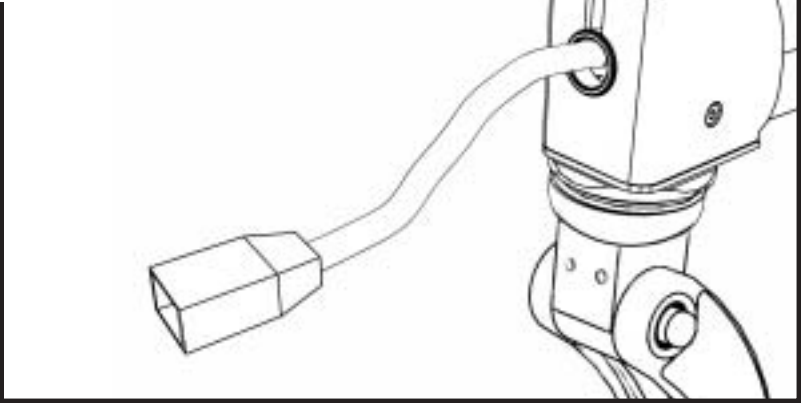
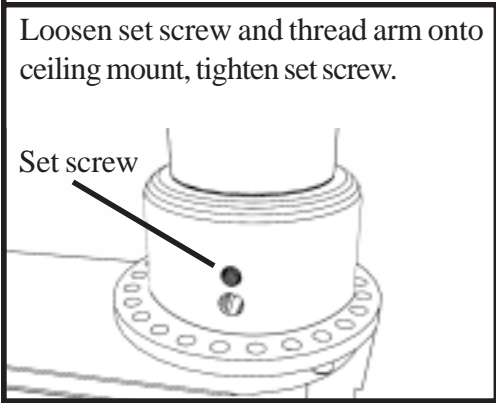
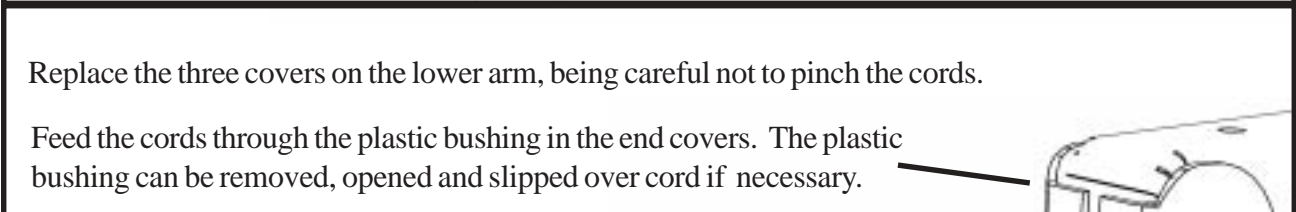
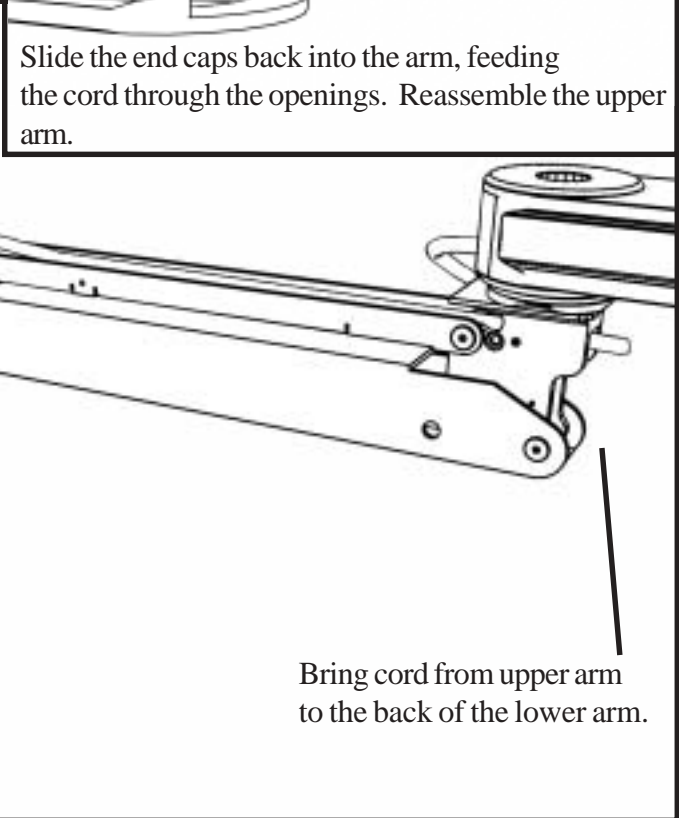
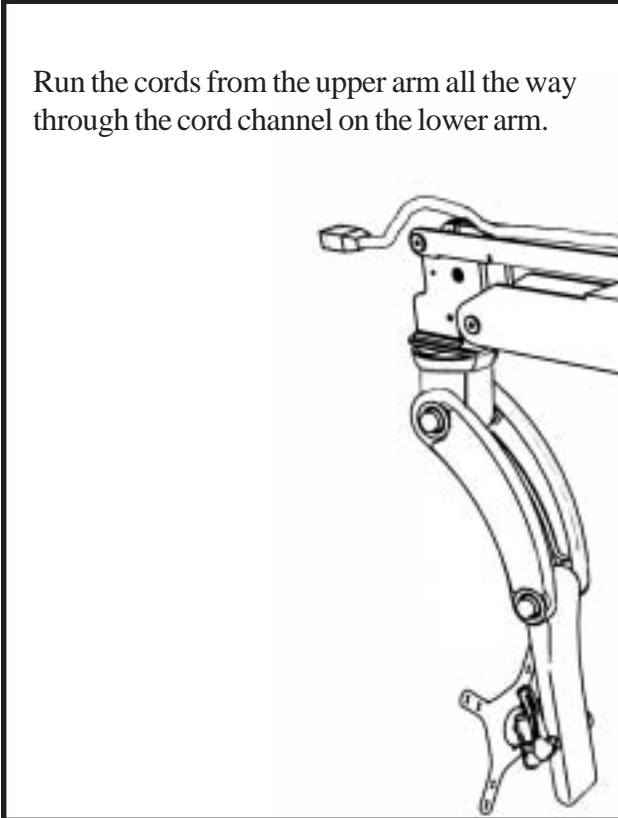
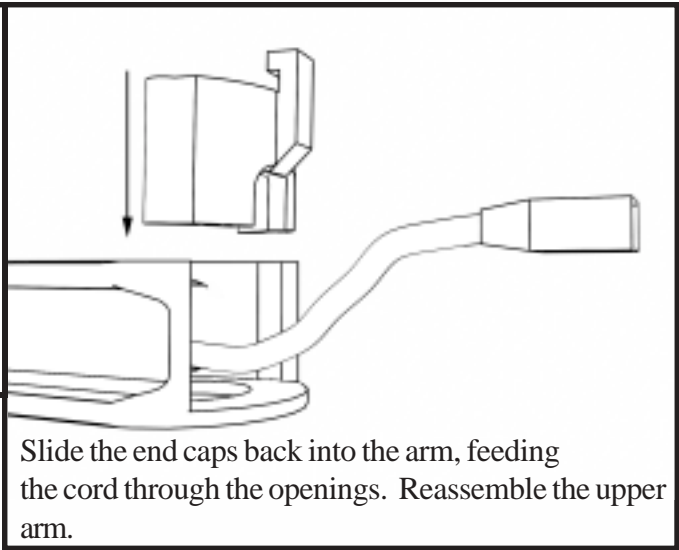
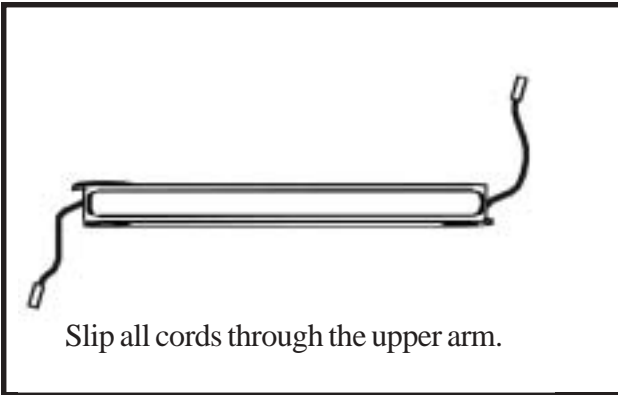
Remove the end covers by unscrewing the 2 10-24 flathead screws using the 1/8" hex key.

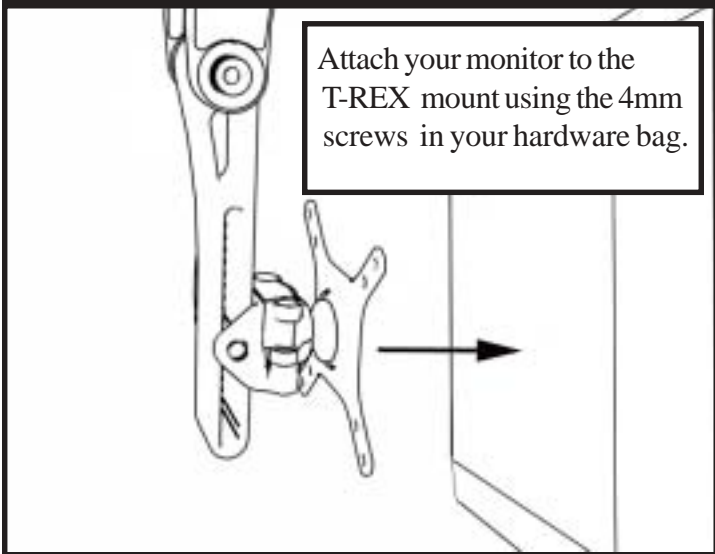
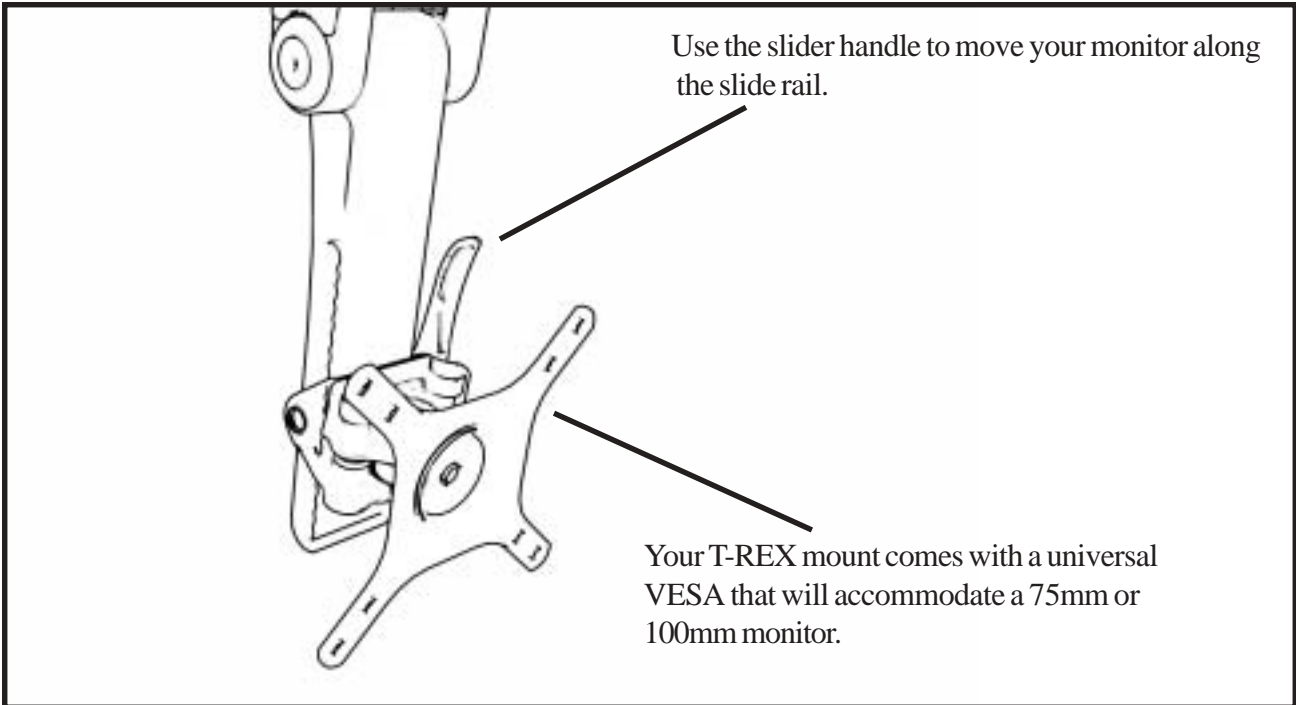
Disassemble the upper arm using the provided socket wrench and 5mm hex key, keep track of all parts.

Slip the end caps out of the arm.



Do not disassemble these bearing packs.





Once your monitor is mounted, extend and adjust the tension on the lower arm using the t-handle adjustment wrench provided.

Adjustment port.

