

ICW Elite Single Arm Wall Mount



DANGER!

The Elite arm contains high pressure gas springs. The following cautions **MUST** be observed to avoid serious injury.

- 1) Do not attempt to adjust your Elite arm until everything you intend to mount to the arm is mounted.
- 2) Arm must be completely horizontal (extended) before adjusting the arms tension. Failure to do so will damage the arm and void the warranty.
- 3) **Never loosen or remove any of the shoulder bolts. Doing so will cause the arm to immediately come apart with tremendous force, and could cause serious injury.**



Shoulder bolt

- 4) If equipment requiring AC power is mounted to this unit, have a certified electrician inspect the installation.
- 5) Failure to install this unit according to these instructions will void all ICW warranties. If installed incorrectly, ICW is not liable for any damage or injury caused by the unit.

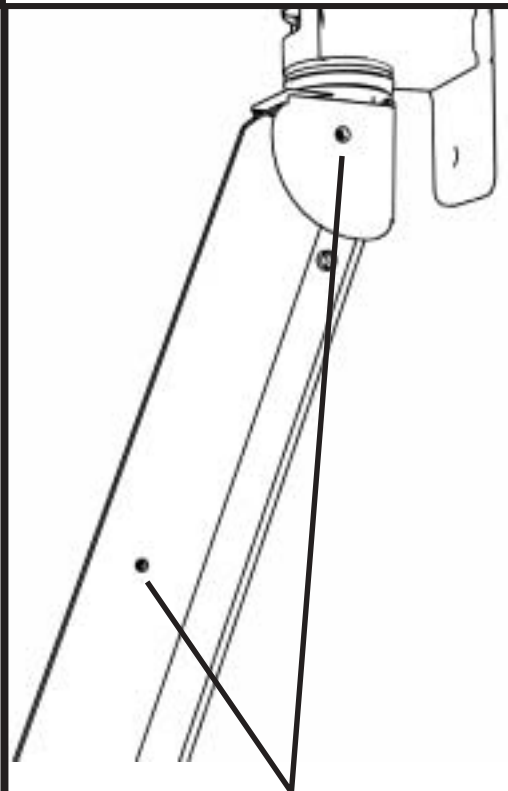
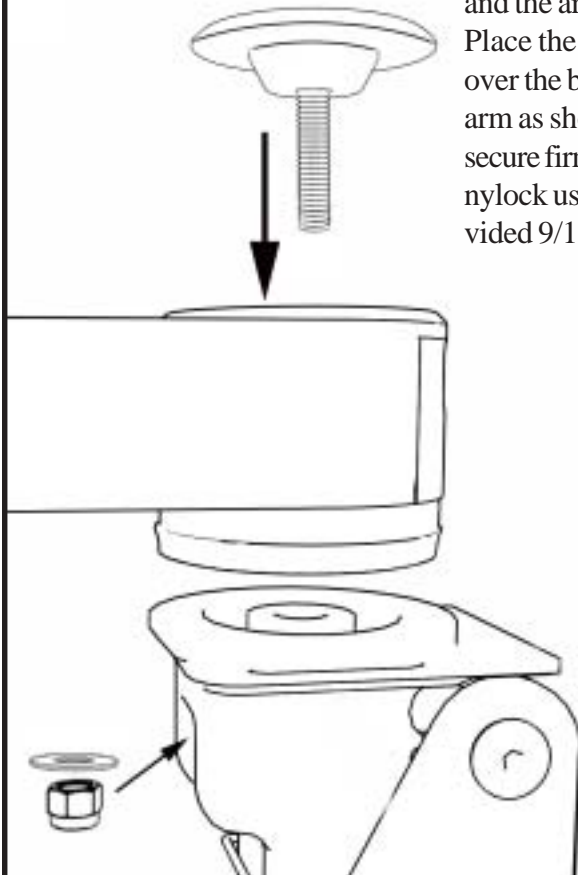
Locate a stud in the wall you intend to mount your arm on and remove the wall mount from the box. Mark the top hole, drill $11/64$ pilot hole and insert an ICW provided #14 screw and tighten slightly. Using a **level**, mark the two lower holes and drill pilot holes, insert the last two #14 screws and, with the mount level, tighten all screws securely.

The wall mount is shipped with the bearings wrapped and it is recommended that you leave the wrapping on until later in the installation process.



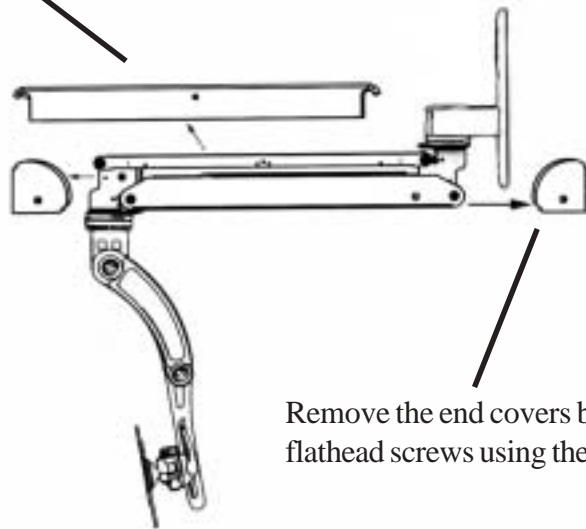
Note: ICW supplies #14 wood screws, if installing onto metal studs you will need to replace with proper metal stud fasteners. All hardware used to secure wall mount must have a proper countersunk head.

Pass the $3/8$ bolt with the bearing assembly through the wall mount and the arm from above. Place the steel race over the bolt inside the arm as shown and secure firmly with the nylock using the provided $9/16$ wrench.



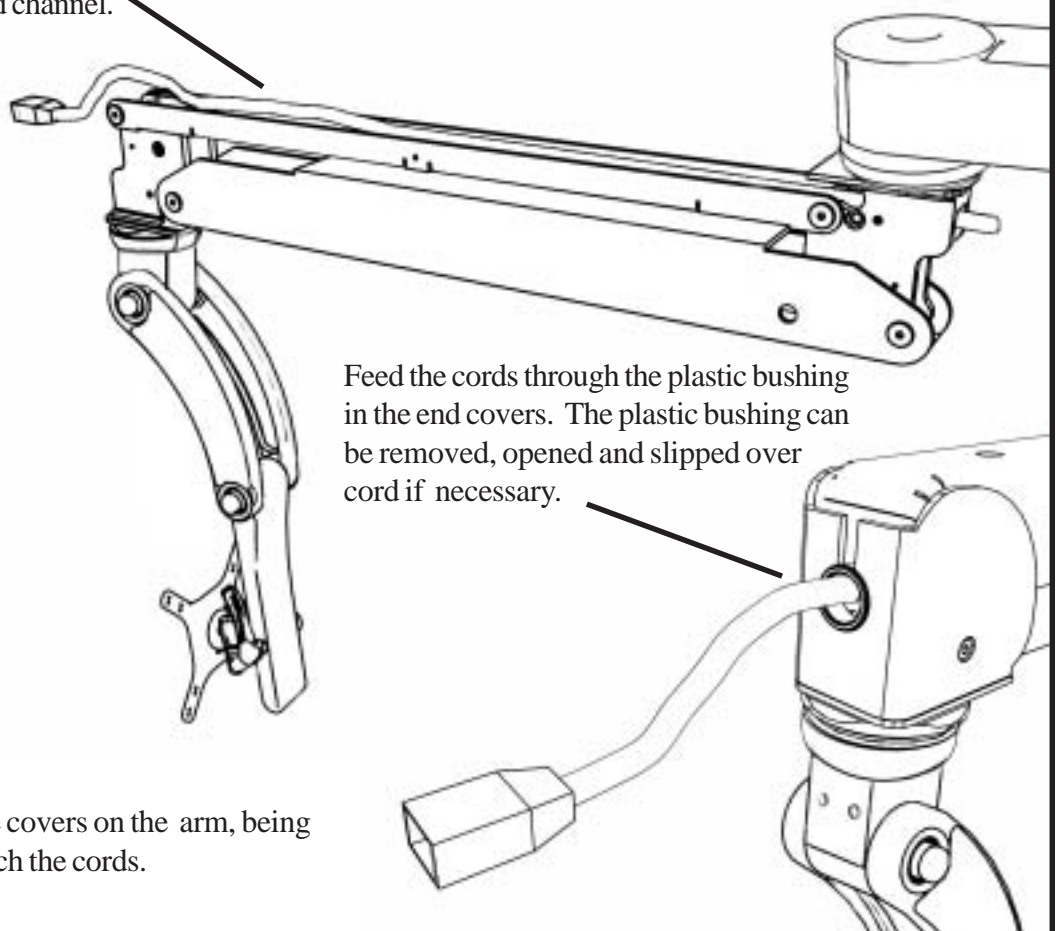
Find the screws in the end covers and the long cover.

Remove the long arm cover by unscrewing the 2 6-32 flathead screws using a philips head screwdriver.



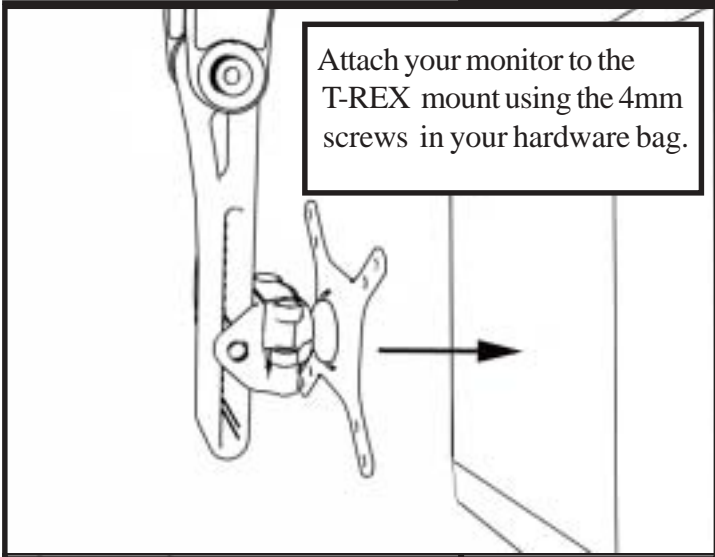
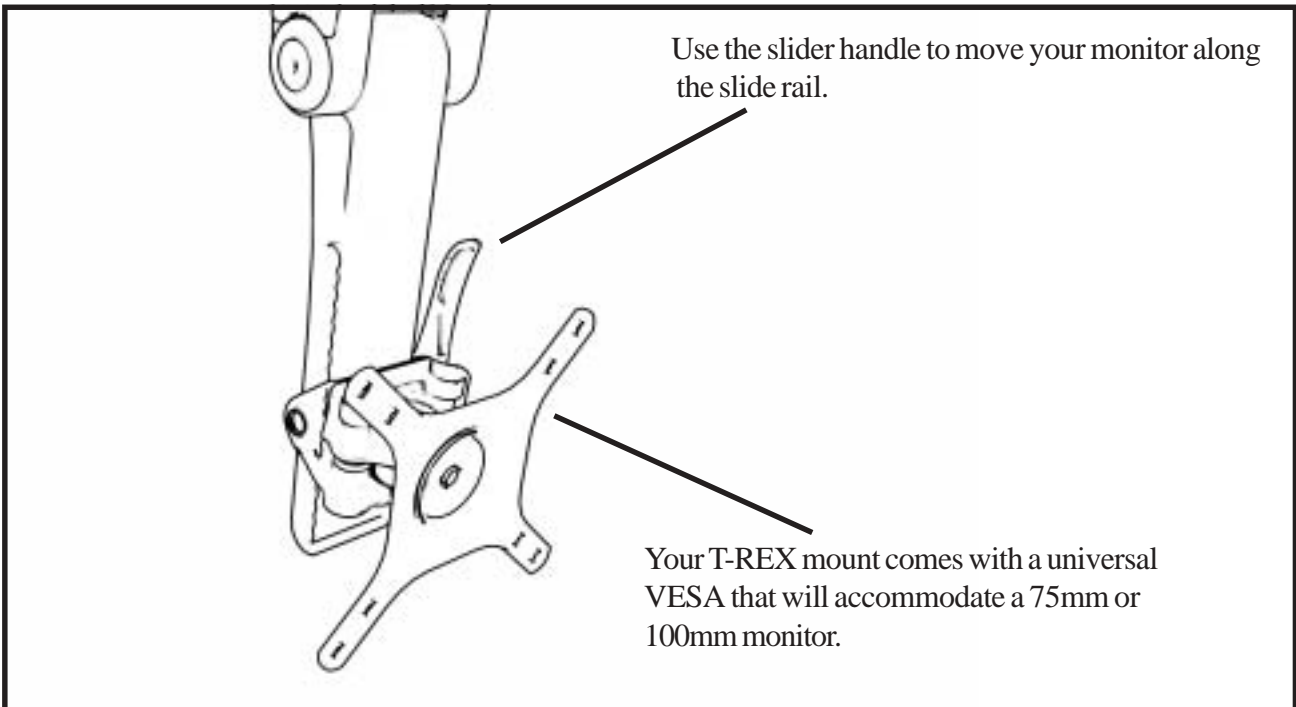
Remove the end covers by unscrewing the 2 10-24 flathead screws using the 1/8" hex key.

Run the cords along the arm all the way through the cord channel.



Feed the cords through the plastic bushing in the end covers. The plastic bushing can be removed, opened and slipped over cord if necessary.

Replace the three covers on the arm, being careful not to pinch the cords.



Once your monitor is mounted, extend and adjust the tension on the arm using the t-handle adjustment wrench provided.

Adjustment port.

