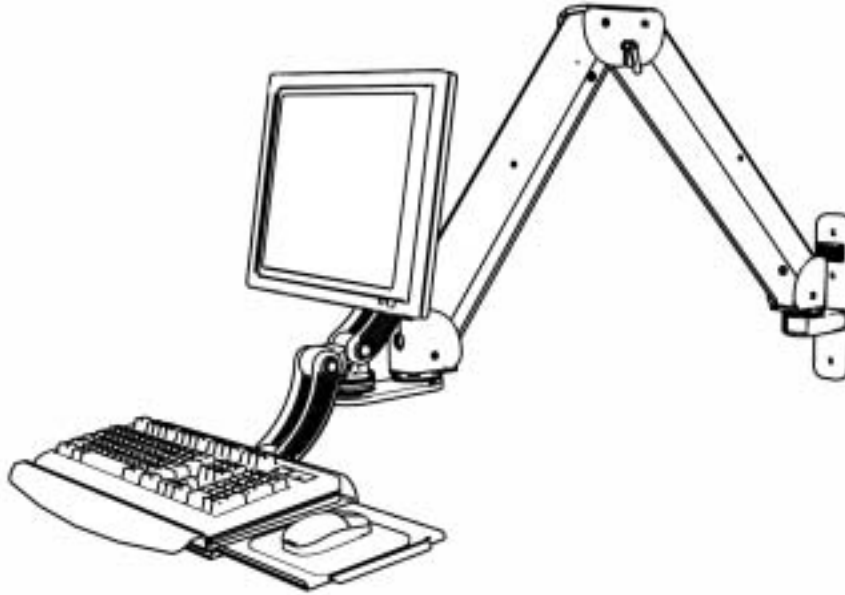


ICW Elite wallmount installation



DANGER!

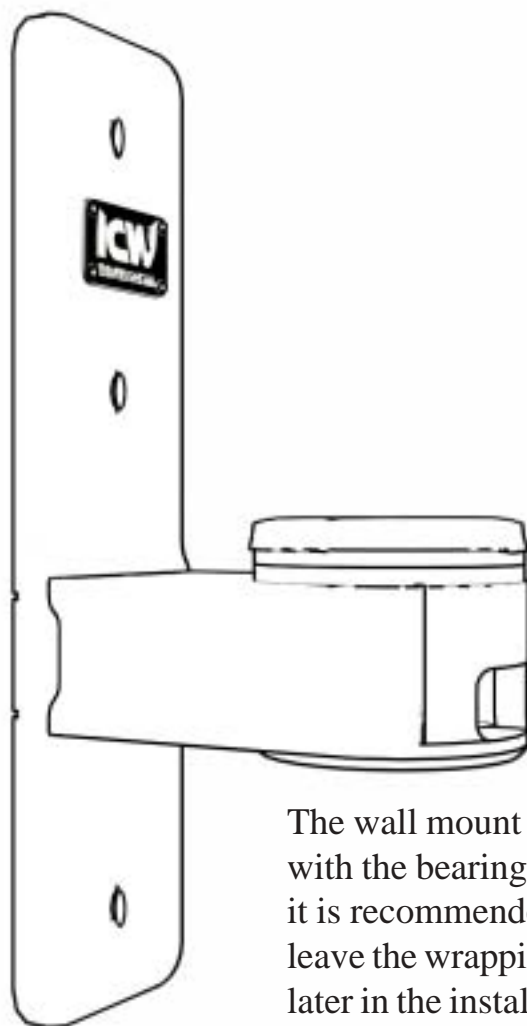
The Elite arm contains high pressure gas springs. The following cautions **MUST** be observed to avoid serious injury.

- 1) Do not attempt to adjust your Elite arm until everything you intend to mount to the arm is mounted.
- 2) Arm must be completely horizontal (extended) before adjusting the arms tension. Failure to do so will damage the arm and void the warranty.
- 3) **Never loosen or remove any of the shoulder bolts. Doing so will cause the arm to immediately come apart with tremendous force, and could cause serious injury.**



Shoulder bolt

- 4) If equipment requiring AC power is mounted to this unit, have a certified electrician inspect the installation.
- 5) Failure to install this unit according to these instructions will void all ICW warranties. If installed incorrectly, ICW is not liable for any damage or injury caused by the unit.



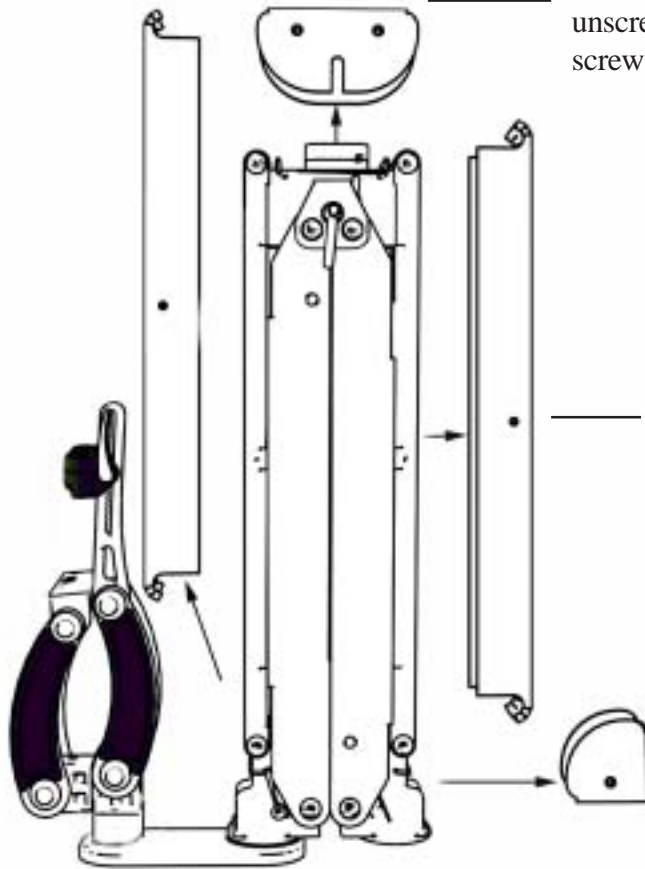
The wall mount is shipped with the bearings wrapped and it is recommended that you leave the wrapping on until later in the installation process.

Wall mount

Locate a stud in the wall you intend to mount your arm on and remove the wall mount from the box. Mark the top hole, drill $11/64$ pilot hole and insert an ICW provided #14 screw and tighten slightly. Using a **level**, mark the two lower holes and drill pilot holes, insert the last two #14 screws and, with the mount level, tighten all screws securely.

Note: ICW supplies #14 wood screws, if installing onto metal studs you will need to replace with proper metal stud fasteners. All hardware used to secure wall mount must have a proper countersunk head.

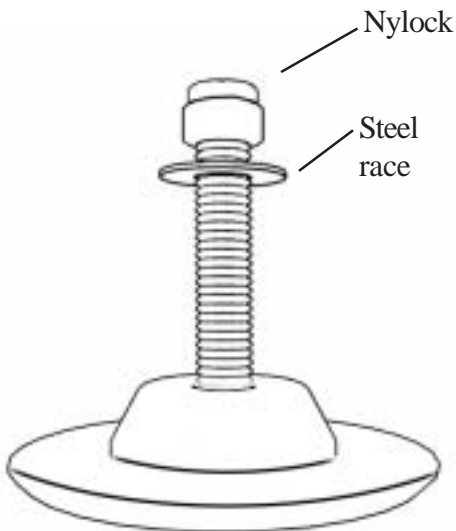
Remove the 4 covers as shown.



Remove the center cover by unscrewing the 4 10-24 flathead screws using the 1/8 hex key.

Remove the long arm covers by unscrewing the 2 6-32 flathead screws using a philps head screwdriver.

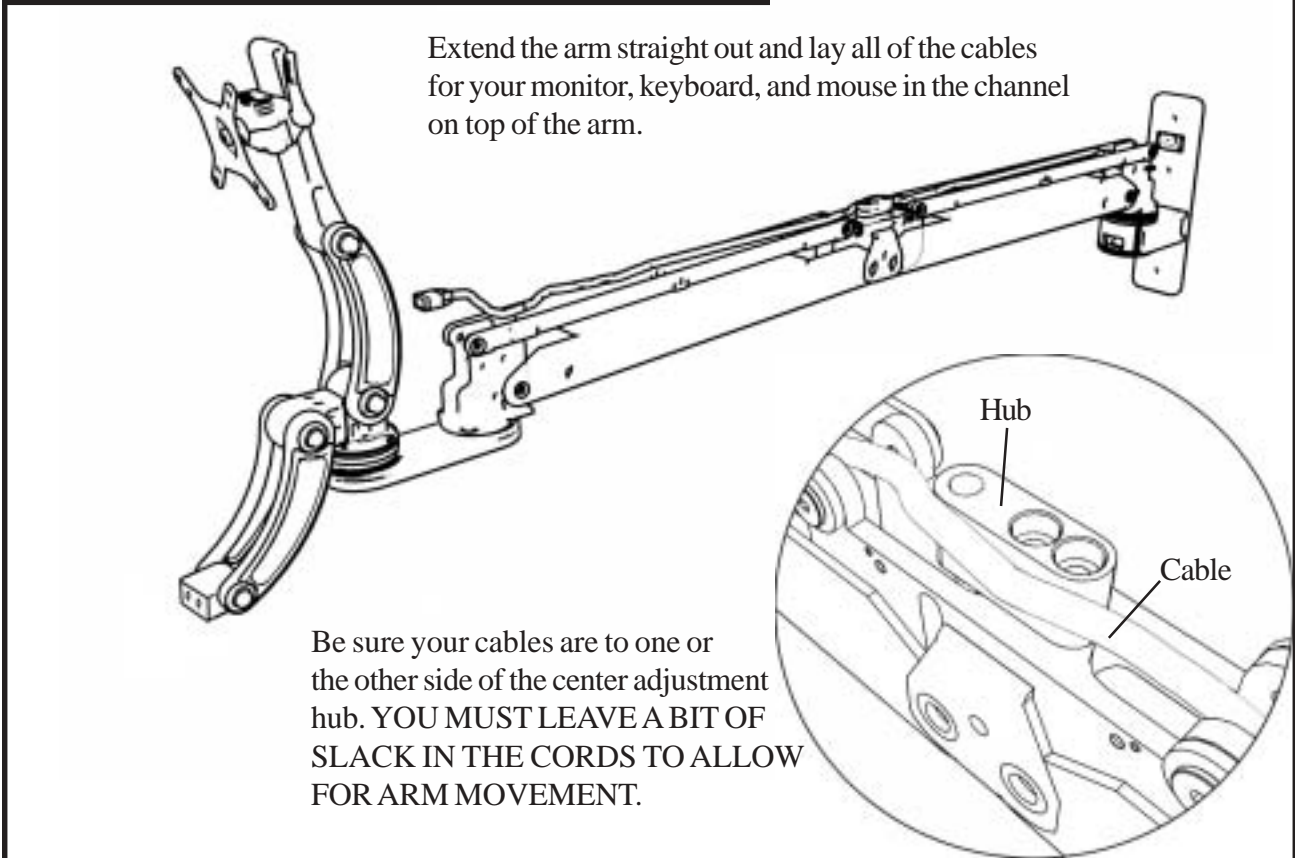
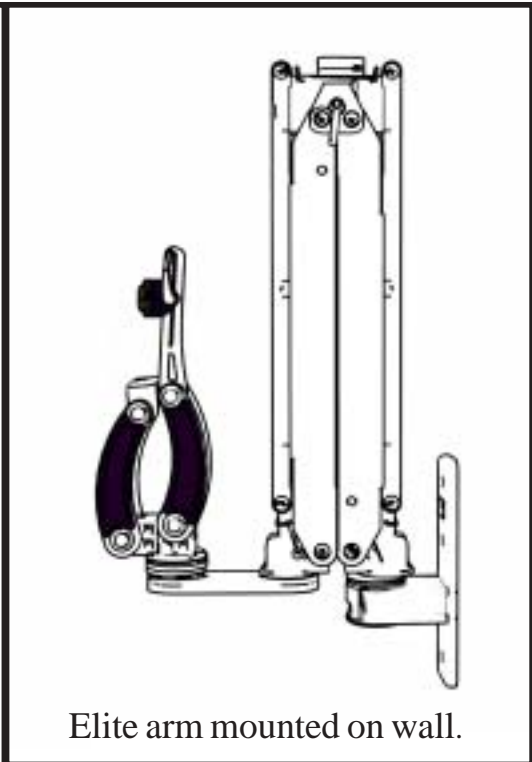
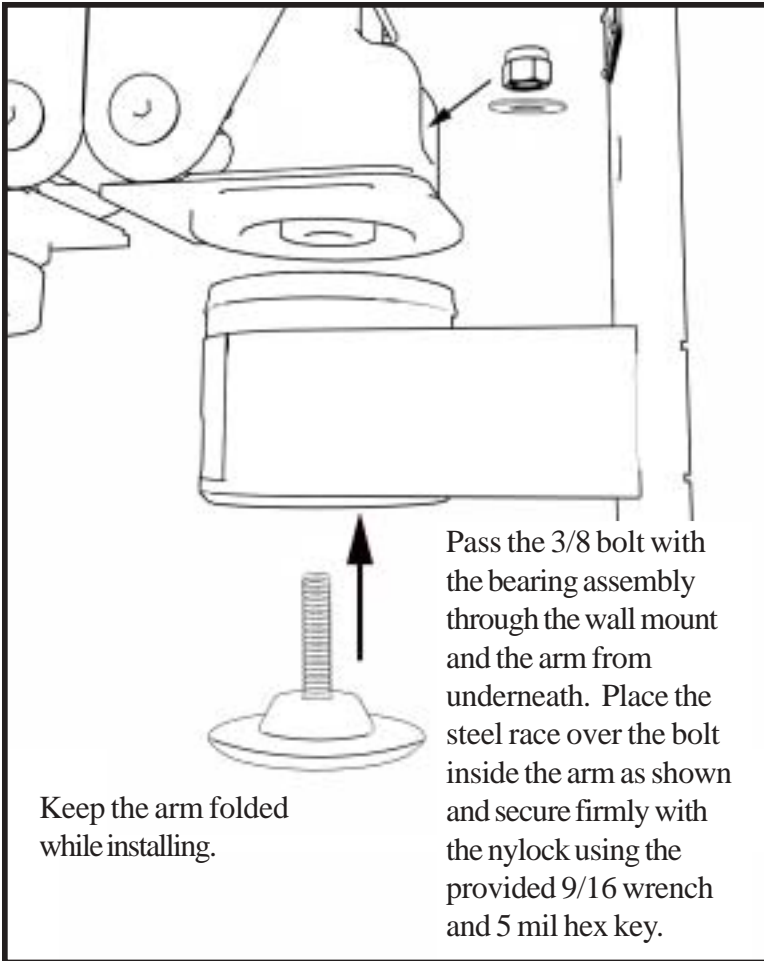
Remove the end cover by unscrewing the 2 10-24 screws using the 1/8 hexkey.



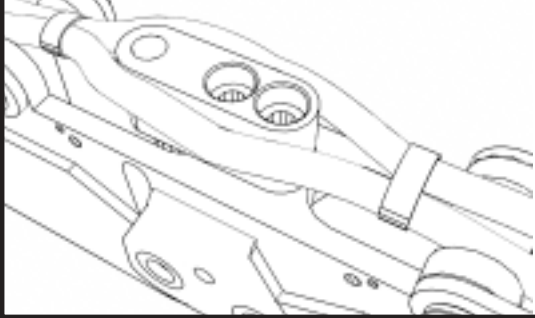
Find the 3/8 bolt assembly in your hardware bag.



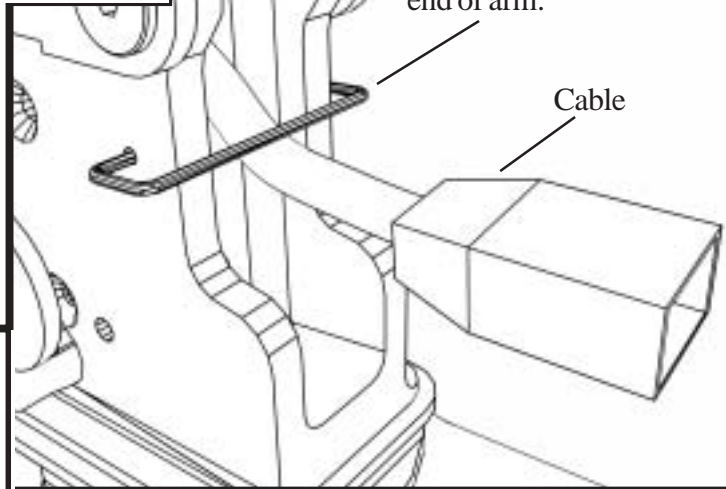
Remove wrapping from bearing and place the end of the Elite arm on the wall mount.



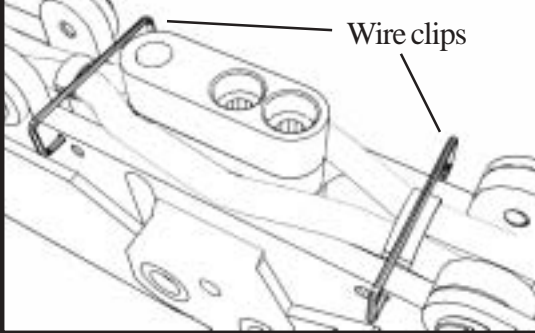
Wire tie your cables together with the hub between them.
Wire ties are found in your hardware bag.



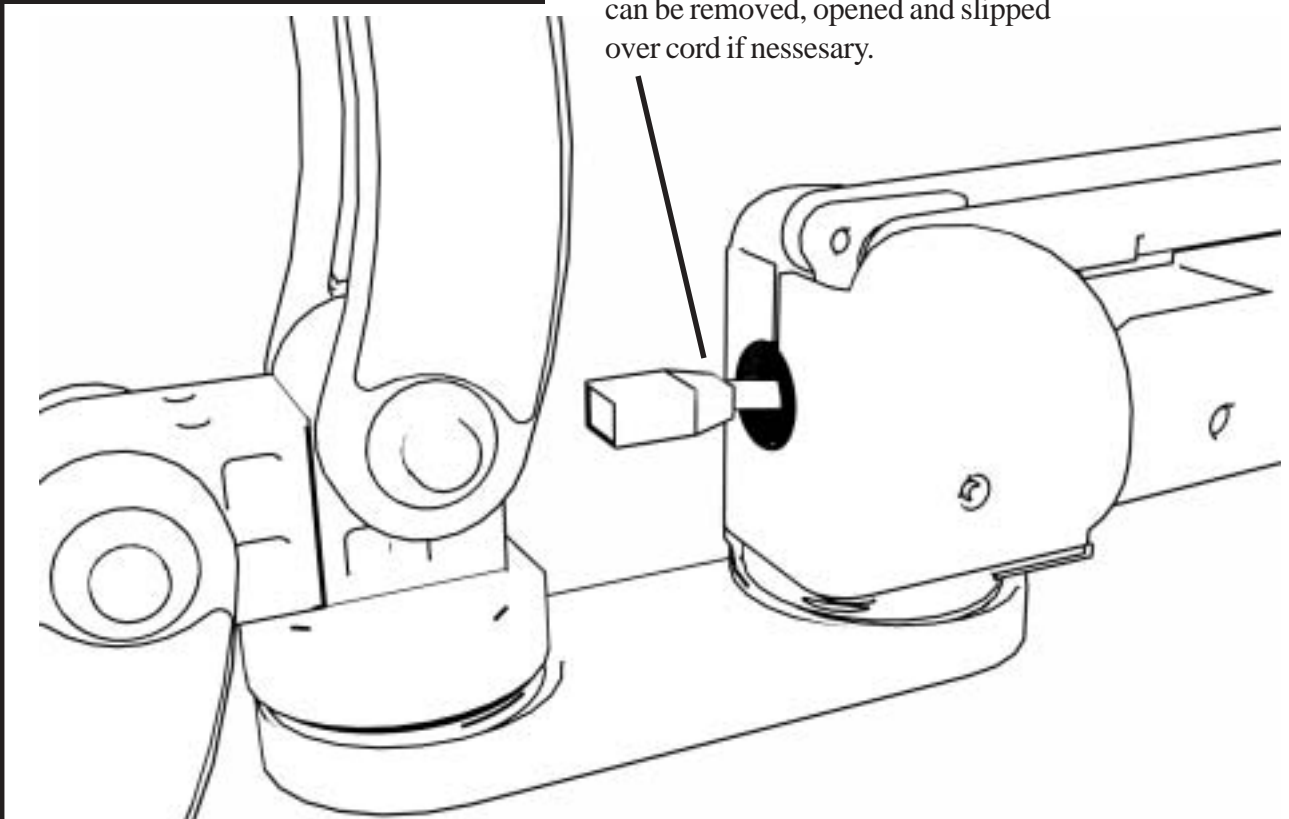
Add the wire clip to the end of arm.



Add the wire clips to secure the cables.
Wire clips are found in your hardware bag.

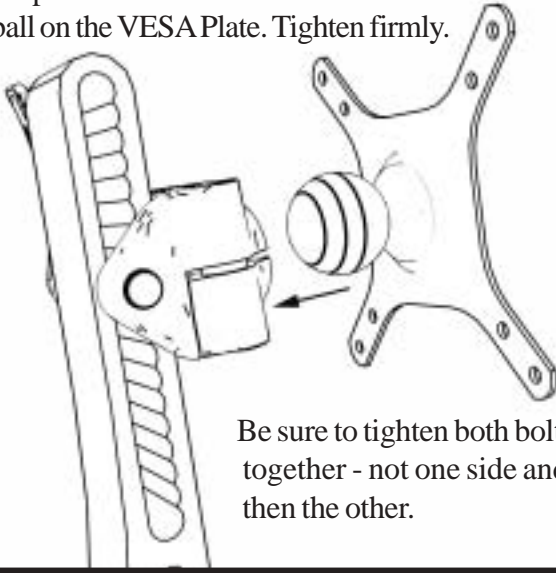


Feed cord through the plastic bushing in the mount assembly. The plastic bushing can be removed, opened and slipped over cord if necessary.



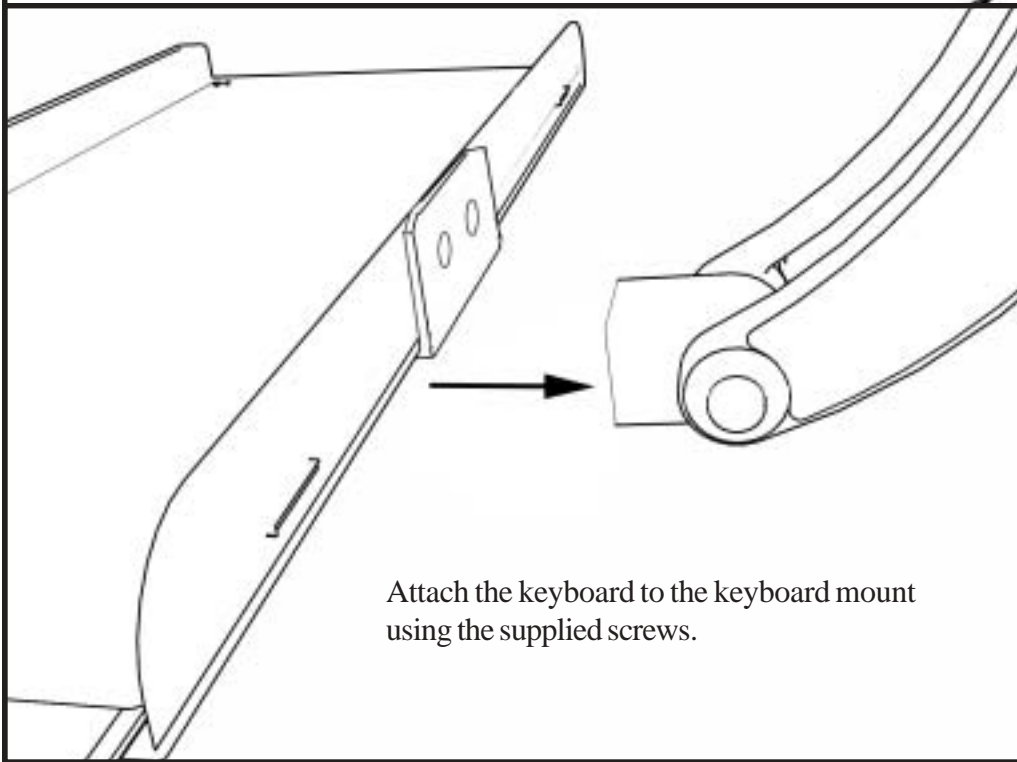
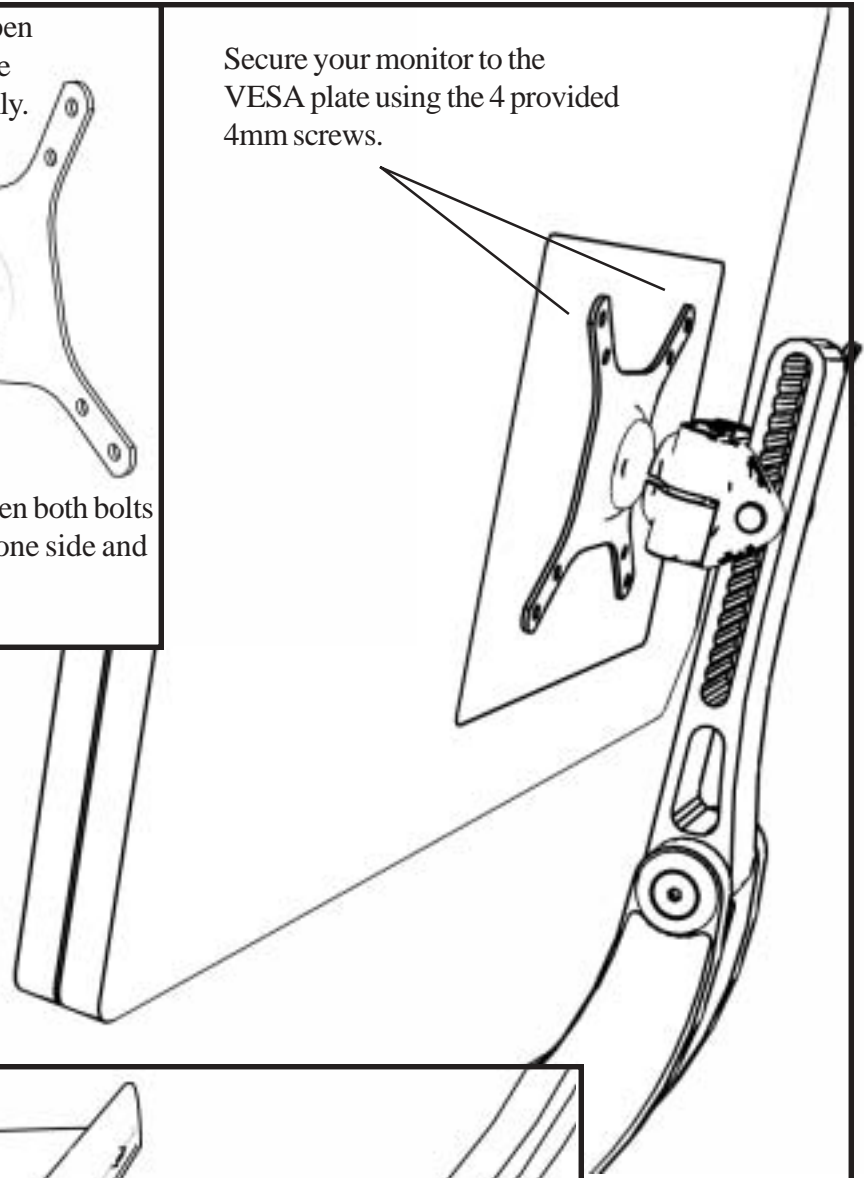
Replace all of the covers. Being sure not to pinch the cables.
The long covers should be replaced first, then the center cover,
and lastly the two end covers.

Use the provided 1/4" wrench to open the plastic slider mount and insert the ball on the VESA Plate. Tighten firmly.

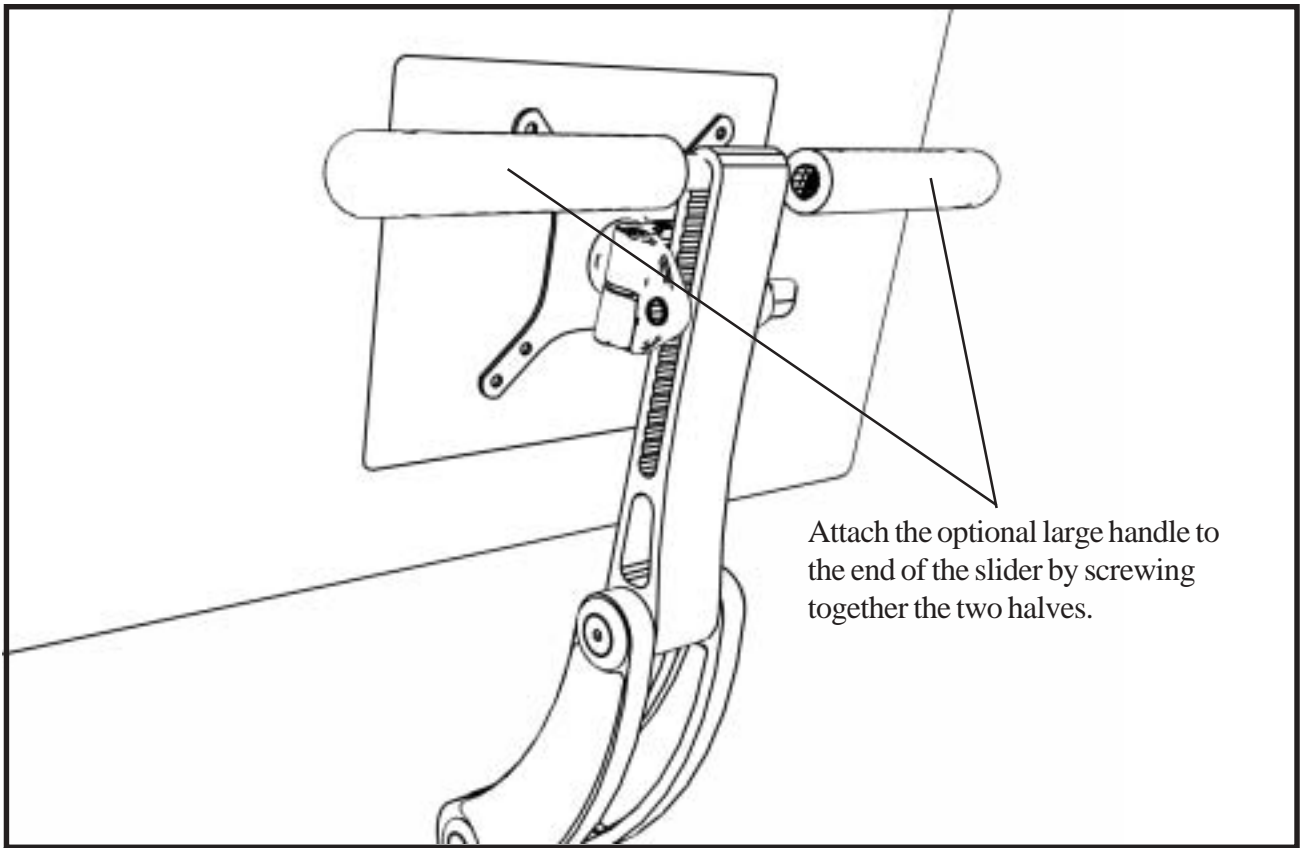


Be sure to tighten both bolts together - not one side and then the other.

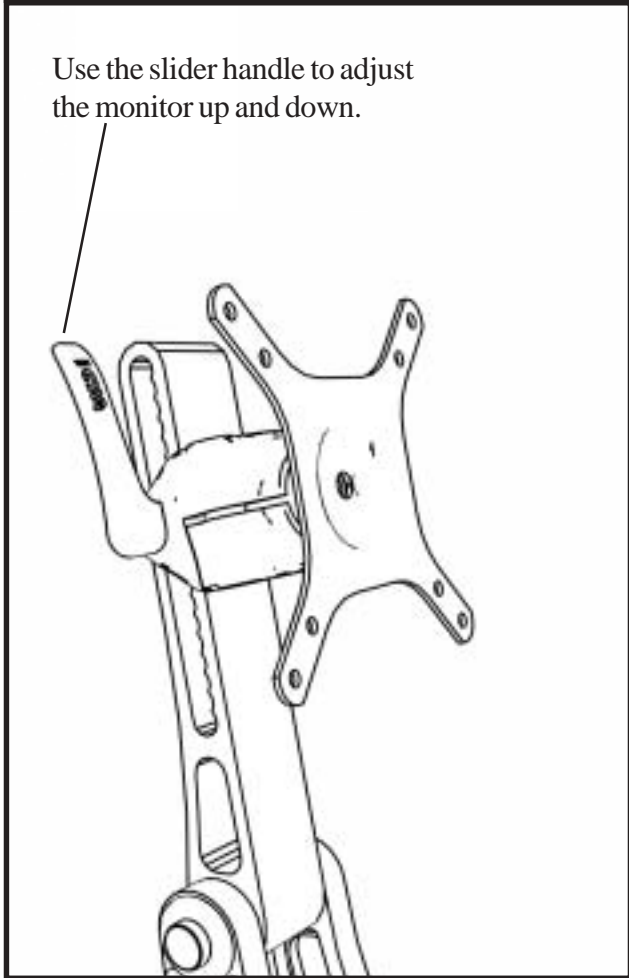
Secure your monitor to the VESA plate using the 4 provided 4mm screws.



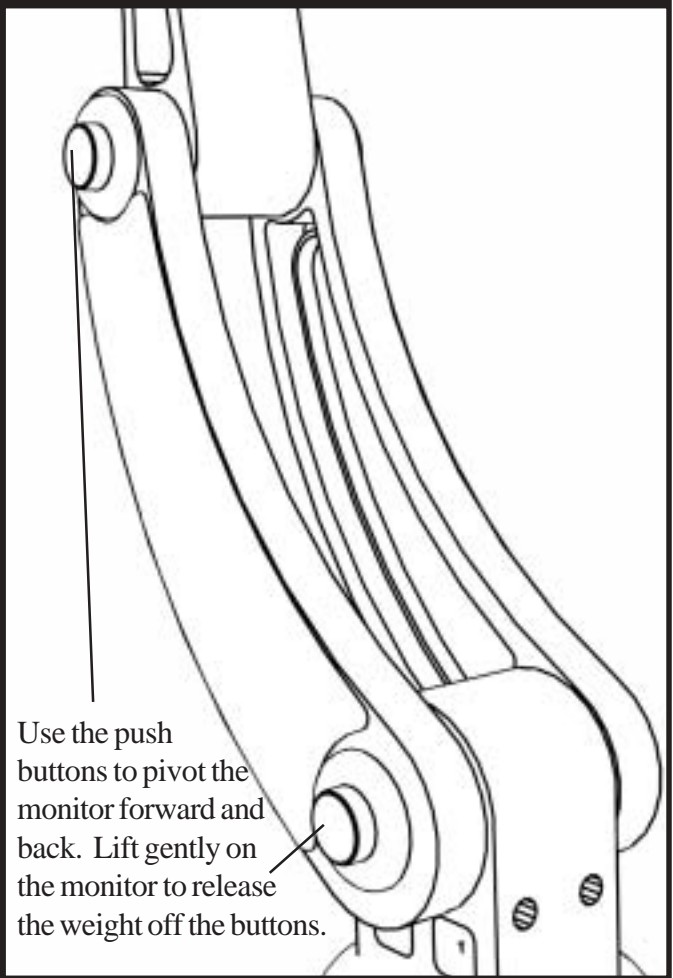
Attach the keyboard to the keyboard mount using the supplied screws.



Attach the optional large handle to the end of the slider by screwing together the two halves.

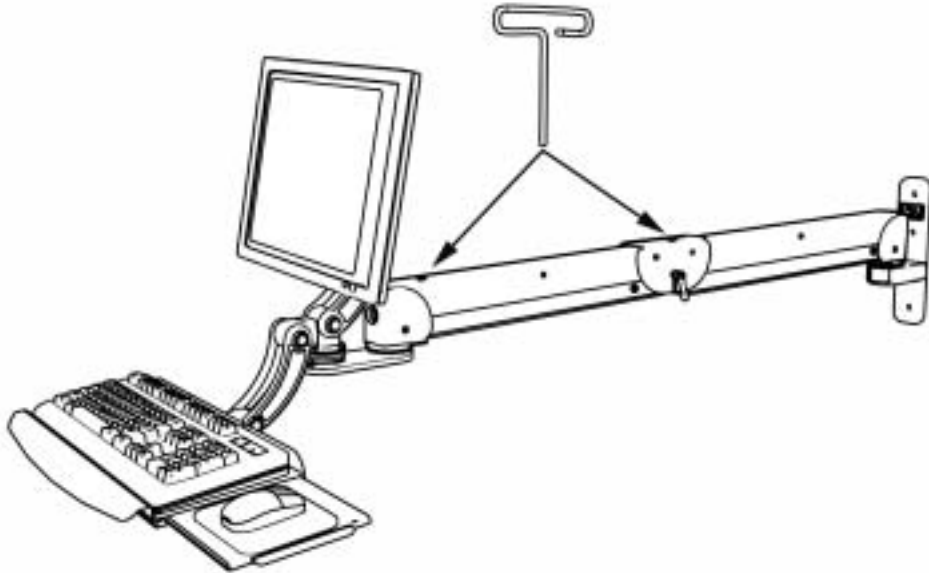


Use the slider handle to adjust the monitor up and down.



Use the push buttons to pivot the monitor forward and back. Lift gently on the monitor to release the weight off the buttons.

Extend the Elite straight out as shown before adjusting the arms resistance. Be sure all equipment is mounted on the arm before adjusting. Adjust the arm closest to the monitor first.



Use the T-handle provided to adjust the arms resistance.

Thank you for your purchase of an ICW Elite arm, your arm is now ready to use.

Any questions please contact ICW at: 1-800-558-4435.

Before adjusting the tension on your Elite arm place everything you are going to mount on it in place, including the monitor, keyboard, mouse, and mouse pad.