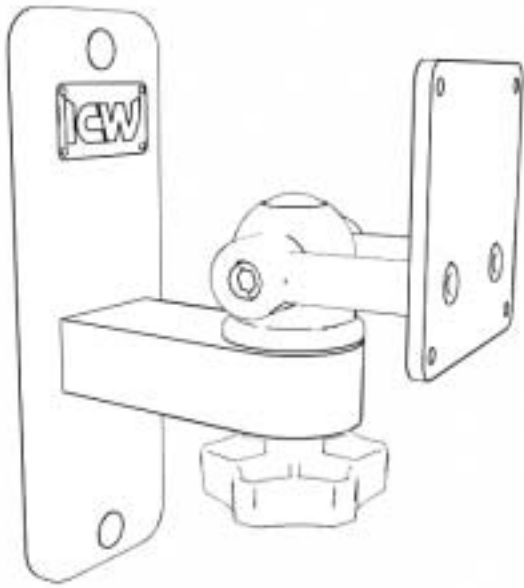
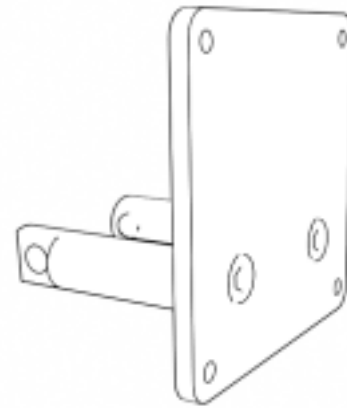


# EV65 Wall Mount Installation Instructions



Wall mount assembly



Monitor mount assembly

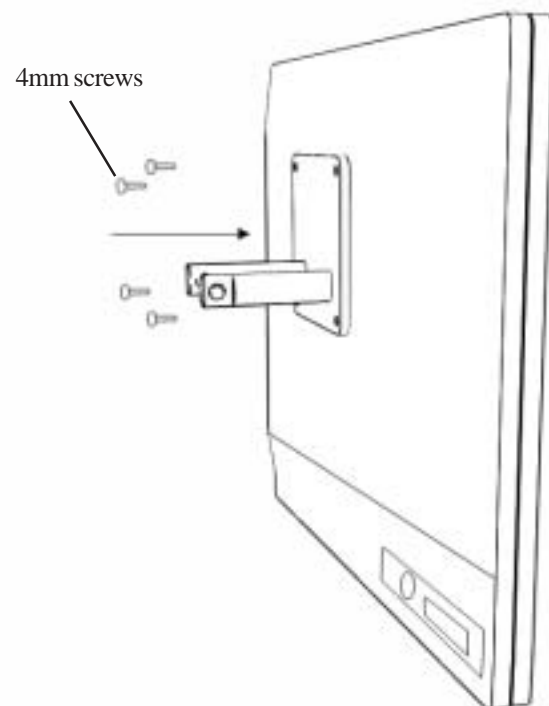
## Securing the wall mount

Locate the stud and mark the top hole, drill  $11/64$  pilot hole and insert #14 screw and tighten slightly. Using a level, mark the lower hole and drill pilot hole, insert #14 screw and, with unit level, tighten both screws.

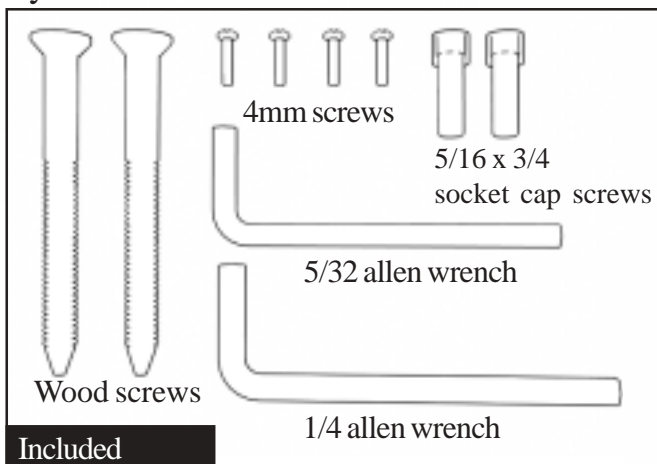
NOTE: ICW supplies #14 wood screws, if installing onto metal studs, you will need to replace with proper metal stud fasteners.

## Securing the monitor mount

Using the provided 4mm screws, attach the monitor mount assembly to the back of your monitor.



4mm screws



Wood screws

4mm screws

$5/16 \times 3/4$   
socket cap screws

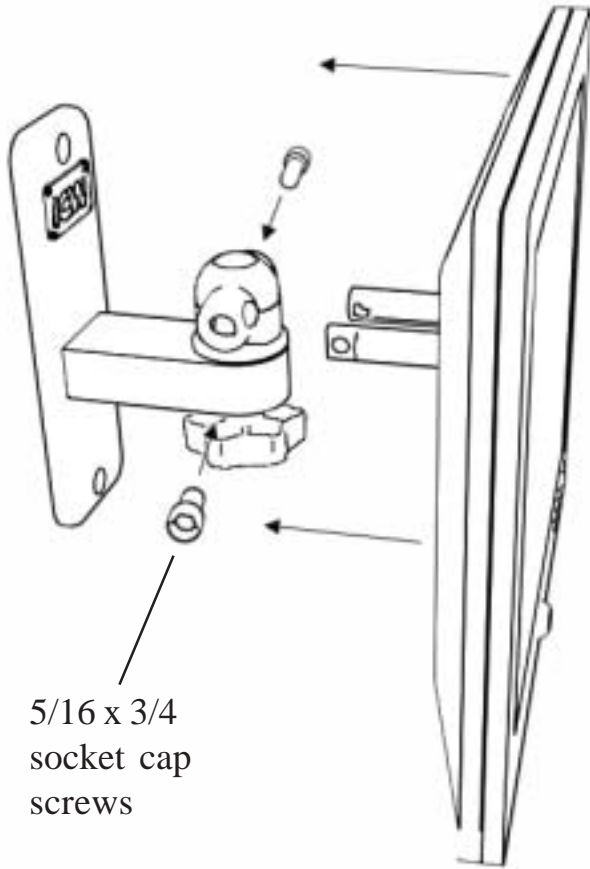
$5/32$  allen wrench

$1/4$  allen wrench

Included

## Attach monitor mount to wall mount

Insert stubs on monitor mount into holes in the mounting bar on the wall mount assembly. Insert the provided  $5/16 \times 3/4$  socket cap screws in both sides and tighten. Use the knob under mount to adjust the tilt of the monitor.



## Closeup

